



LMPD7 7W MR16 SPECIFICATIONS



Specifications

LED MR16 Bulb
Model Number: LMPD7
Input Power: 7 Watts
Input Line Voltage: 12VAC/DC
Input Line Frequency: DC to 50 KHz
Average Life: 35,000 hours
Maximum Operating Temp: 40°C
Lumens: 500 Lumens
CCT: 3000K
CRI: 97 CRI
Efficacy: 72 Lm/W
Base: GU 5.3
Beam Angle: 36°, 25°, 15°
Color Binning: 3-Step

Model LMPD7	
SI silver	BL black
Finish	CCT
SI	30K
30K 3000K	

Dimmer Compatibility

SL Transformer Type	Dimmer Type
PWE60NL	ELV
PWESMT, PWERM	ELV
PWMSMT, PWMRM	MLV

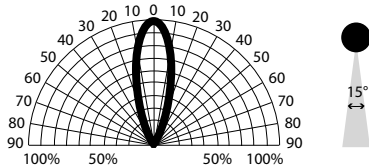
The Stone Lighting MR16 LED lamp installs easily into any 2 pin GU5.3/GX5.3 low voltage socket and is a direct replacement into most MR16 type fixtures which use 12V low voltage halogen lamps.

Utilizing the most advanced and efficient LM80 approved LED chips from Luminus, our MR16 produces a powerful forward beam equivalent to a 50W halogen lamp while it also produces a back light to illuminate decorative glass. The MR16 LED is dimmable and compatible with Stone Lighting NO LOAD electronic and magnetic transformers.

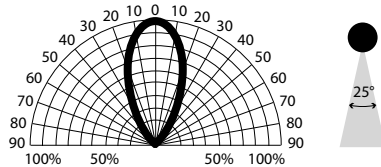
- Consumes 7 Watts.
- Fits in most existing fixtures.
- Comparable to a 50W Halogen MR16
- Direct lamp replacement.
(Must use Stone Lighting compatible Transformers)
- 35,000 hour average lifespan.
- Backlight
- Contains no mercury or other harmful substances.
Very environment friendly.
- Use in recessed housings, track lighting, specialty fixtures, etc.
- Meets or exceeds UL Listing requirements.
- No harmful UV or IR - light will not damage art or UV / IR sensitive materials.



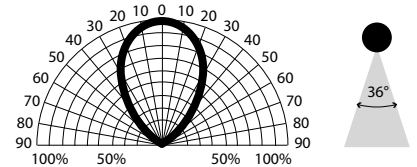
Forward Radiation Angle 15°



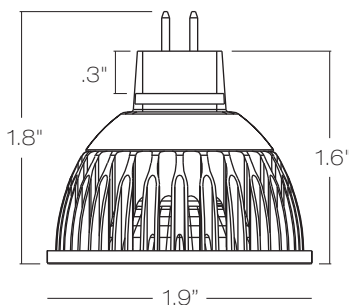
Forward Radiation Angle 25°



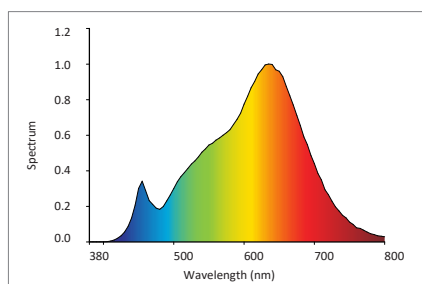
Forward Radiation Angle 36°



Dimensions



Spectroradiometric Parameters



CRI Test Result

