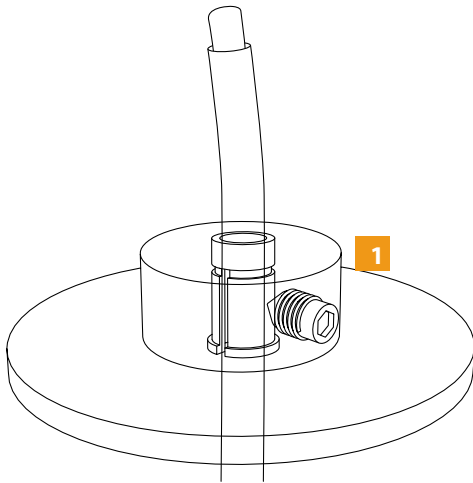
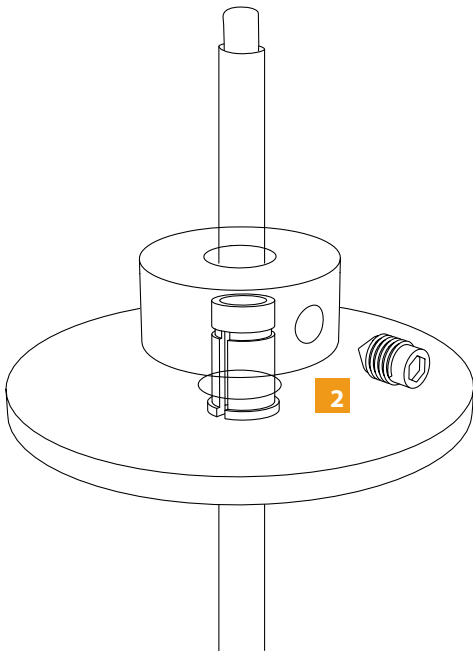


Instructions for Ceiling Strain Relief

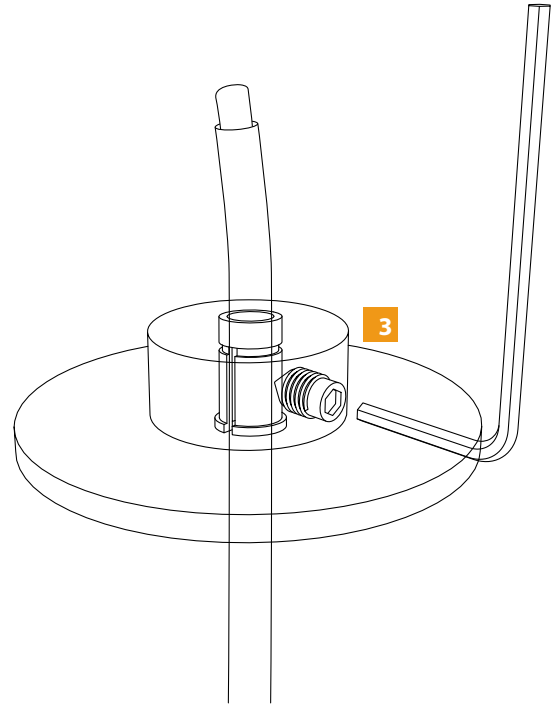
- 1** Flared strain relief tube was installed into cylinder ring with hex screw by Stone Lighting. Verify solid point of strain relief will make contact with the hex screw, if met at the opening of the U the strain relief will not work properly. (All should already be done correctly by us, but it would be good to have them double check.)



- 2** COAX must be inserted through the flared end of the strain relief, fender washer must be below this cylinder ring with the strain relief.



- 3** Once at desired length for COAX to be held, simply tighten down hex screw cracking the strain relief so it properly secures the cable.



- 4** Wire.
- 5** Install into ceiling.
- 6** Power.