

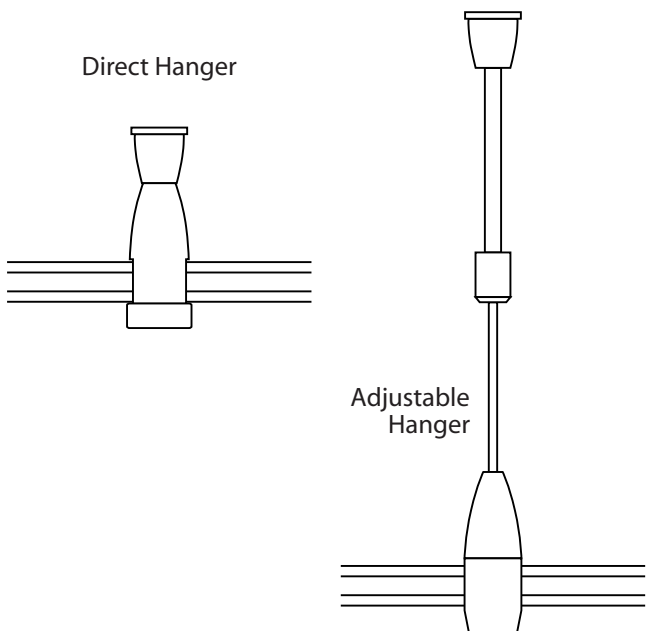
SAVE THESE INSTRUCTIONS



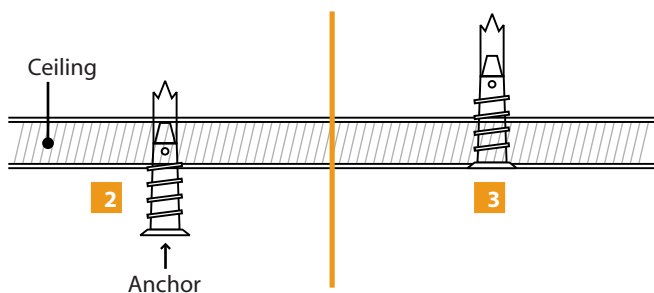
This product is ETL listed for indoor dry locations.

This product is intended to be used with Stone Lighting Monorail Systems only.

Use Adjustable Hanger where the Monorail sections join together and approximately every 3 feet throughout the Monorail run.

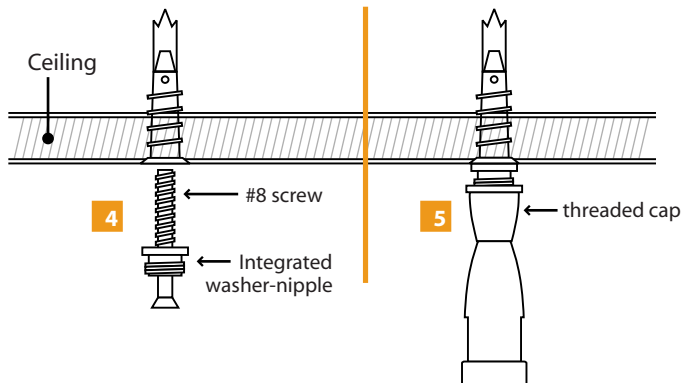


- 1** Hold the Monorail against the ceiling or use a plumb bob to mark the hanger locations onto the ceiling, (This may require more than one person).
- 2** Tap the anchor onto the marked locations up to the threaded portion with a hammer.
- 3** Screw the threaded portion of the anchors in with a Phillips screwdriver.



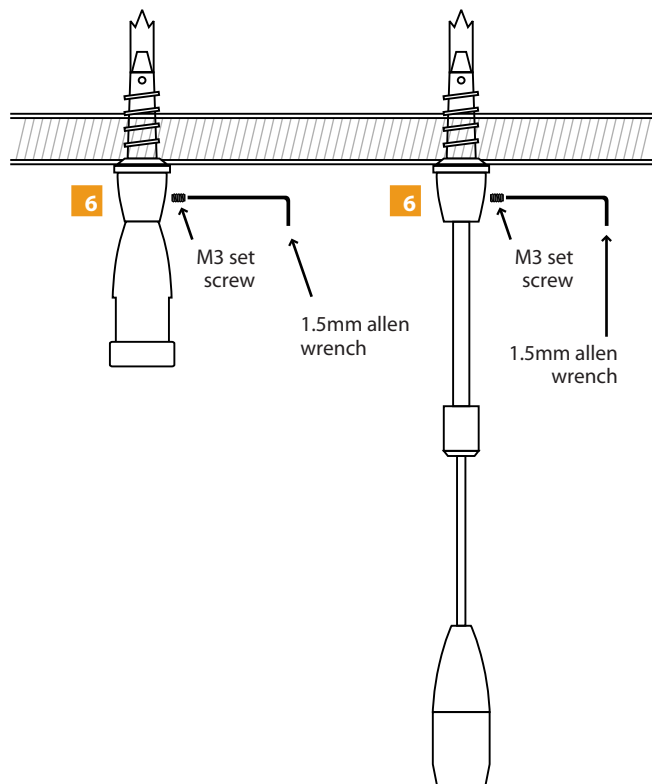
- 4** Mount the integrated washer-nipple to the anchor with the #8 screw provided.

- 5** Tighten the threaded cap completely onto integrated washer-nipple.



- 6** Push the Hanger rod completely into the threaded cap and tighten the M3 set screw with the 1.5mm Allen wrench.

- 7** Repeat steps 4 through 6 for the remaining Hangers.



- 8** Slightly loosen the M3 set screw on the conical nipple of each of the Hangers with the 1.5mm Allen wrench so that the conical nipples can rotate easily.
- 9** Place the Monorail into the threaded housings (this may require more than one person).
- 10** Tighten the threaded housings to the conical nipples (this may require more than one person). Make sure threaded housings are not cross threaded.

- 11** Tighten the M3 set screw on the conical nipples with the 1.5mm Allen wrench.

