

Mini Surface Mount Transformer Installation Instructions

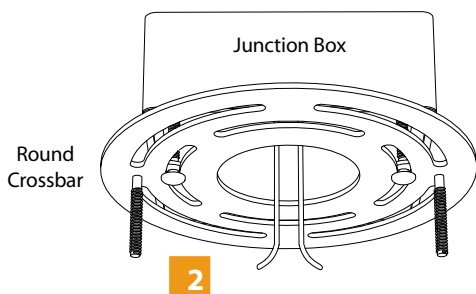
PWESMT100MINI and PWESMT300MINI

This product is ETL listed and suitable only for indoor dry locations and approved for use at any height above the finished floor.

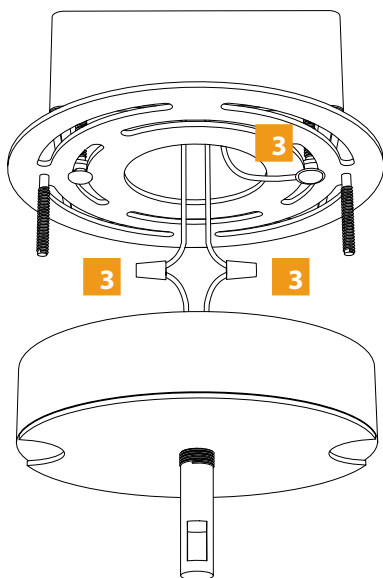


1 Pre-installation Instructions

- Carefully remove mini transformer from packaging.
- Loosen and remove the collar ring from the powerfeed.
- Remove the decorative canopy cover.
- Loosen and remove the two nuts holding the transformer housing onto the cross bar.
- Slide transformer unit off of the cross bar.
- Begin installation, follow install instructions.

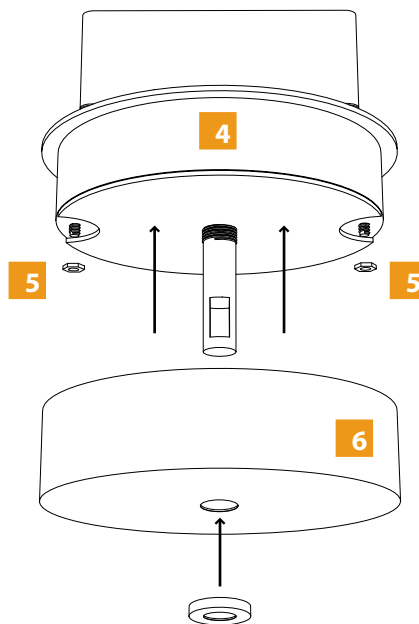


- Securely fasten the round crossbar to the junction box.



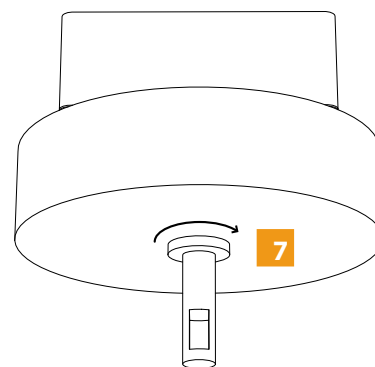
- Connect 120V primary wiring (hot, neutral and earth ground) to the transformer input wires (black, white and green wires). Make sure connections are tight.

- Push the transformer unit towards junction box and slide the cross bar support screws through the transformer housing.



- Secure transformer to the cross bar by tightening the mounting screws.

- Slide the decorative canopy cover over the transformer unit.



- Slip the collar ring over the power feed post and tighten collar ring onto power feed post.

- The unit is now ready to be connected to the low voltage monorail system.

Mini Surface Mount Transformer Installation Instructions

PWESMT100MINI and PWESMT300MINI

Mini SMT Dimming/Lamp Matrix Information

SL POWER SUPPLY PWESMT100MINI	SL LED LIGHT SOURCE MR16 LMPD4 <i>RECOMMENDED DIMMER:</i> ELV Dimmer Minimum # Bulbs = 1 With ELV Dim Maximum # Bulbs = 8LED NO DIM Maximum # Bulbs = 15LED	SL LED LIGHT SOURCE MR11 LMPND3 <i>RECOMMENDED DIMMER:</i> ELV Dimmer Minimum # Bulbs = 1 With ELV Dim Maximum # Bulbs = 10 LED NO DIM Maximum # Bulbs = 20LED	SL LED LIGHT SOURCE G4LMPL2 <i>RECOMMENDED DIMMER:</i> ELV Dimmer Minimum # Bulbs = 1 With ELV Dim Maximum # Bulbs = 20LED NO DIM Maximum # Bulbs = 40LED
	SL LED LIGHT SOURCE GY6.35 LMPL5N/W MODULE/6 <i>RECOMMENDED DIMMER:</i> ELV Dimmer Minimum # Bulbs = 1 With ELV Dim Maximum # Bulbs = 10LED NO DIM Maximum # Bulbs = 15LED	SL LED LIGHT SOURCE JAZZ PD223/WS223 <i>RECOMMENDED DIMMER:</i> ELV Dimmer Minimum # Bulbs = 1 With ELV Dim Maximum # Bulbs = 25LED NO DIM Maximum # Bulbs = 25LED	SL LED LIGHT SOURCE JAZZ PD224/WS224 <i>RECOMMENDED DIMMER:</i> ELV Dimmer Minimum # Bulbs = 1 With ELV Dim Maximum # Bulbs = 15LED NO DIM Maximum # Bulbs = 15LED

SL POWER SUPPLY PWESMT300MINI	SL LED LIGHT SOURCE MR16 LMPD4 <i>RECOMMENDED DIMMER:</i> ELV Dimmer Minimum # Bulbs = 1 With ELV Dim Maximum # Bulbs = 20LED NO DIM Maximum # Bulbs = 25LED	SL LED LIGHT SOURCE MR11 LMPND3 <i>RECOMMENDED DIMMER:</i> ELV Dimmer Minimum # Bulbs = 20W + 1LED With ELV Dim Maximum # Bulbs = 8LED NO DIM Maximum # Bulbs = 50LED	SL LED LIGHT SOURCE G4LMPL2 <i>RECOMMENDED DIMMER:</i> ELV Dimmer Minimum # Bulbs = 1 With ELV Dim Maximum # Bulbs = 40 LED NO DIM Maximum # Bulbs = 50LED
	SL LED LIGHT SOURCE GY6.35 LMPL5N/W MODULE/6 <i>RECOMMENDED DIMMER:</i> ELV Dimmer Minimum # Bulbs = 1 With ELV Dim Maximum # Bulbs = 20LED NO DIM Maximum # Bulbs = 25LED	SL LED LIGHT SOURCE JAZZ PD223/WS223 <i>RECOMMENDED DIMMER:</i> ELV Dimmer Minimum # Bulbs = 1 With ELV Dim Maximum # Bulbs = 50LED NO DIM Maximum # Bulbs = 50LED	SL LED LIGHT SOURCE JAZZ PD224/WS224 <i>RECOMMENDED DIMMER:</i> ELV Dimmer Minimum # Bulbs = 1 With ELV Dim Maximum # Bulbs = 15LED NO DIM Maximum # Bulbs = 25LED

* **SL LED LIGHT SOURCE LED STRIP** *Not Compatible.*