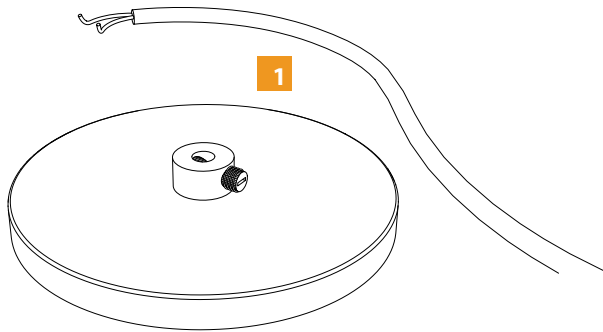
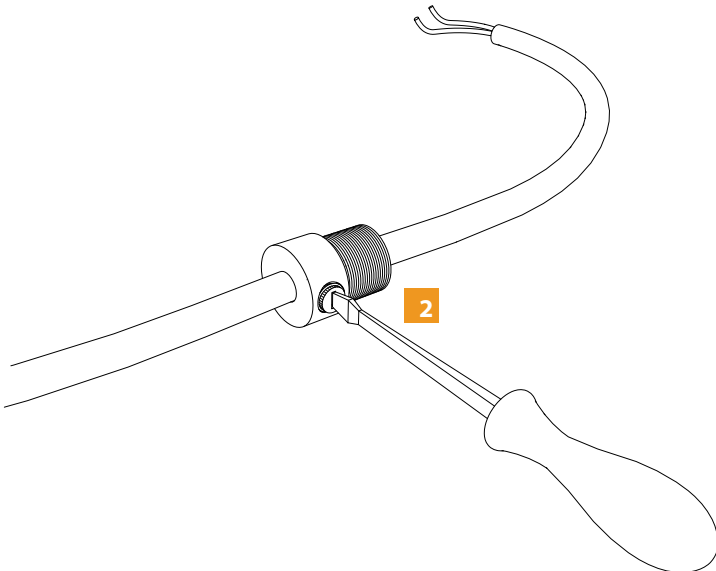


Installation instructions for: Line Voltage one Light

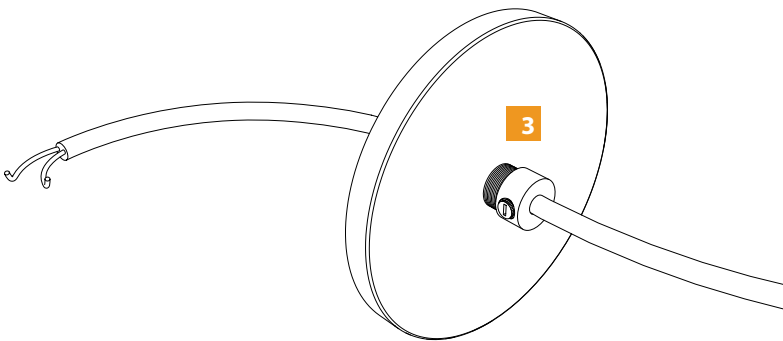
1 Unpack and disassemble.



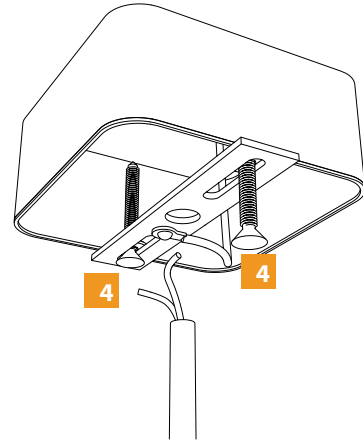
2 Set strain relief at desired point on cord.



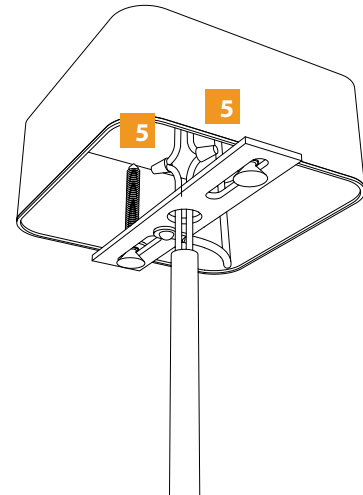
3 Screw strain relief into the canopy



4 Mount crossbar.



5 Wire cables.



6 Reassemble canopy to ceiling, turn the power on.

