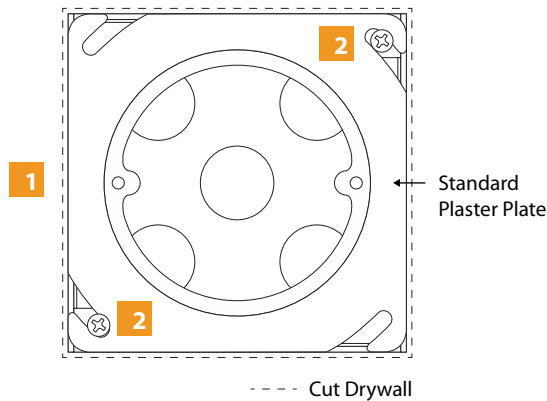


Installation instructions for ADPJBOX2

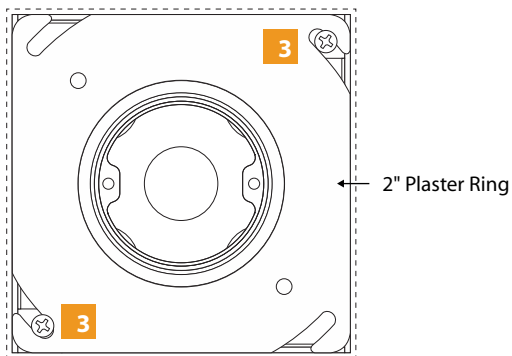
2" Plaster Ring Adapter for Standard 4" Electrical Box.

Option 1: Existing Plaster Ring

- 1 Cut away the drywall where the electrical box is located.
- 2 Uninstall the standard plaster plate by removing the #8-32 screws.



- 3 Install the 2" Plaster Ring to the electrical box using two #8-32 screws.



- 4 Plaster and finish around the electrical box opening.

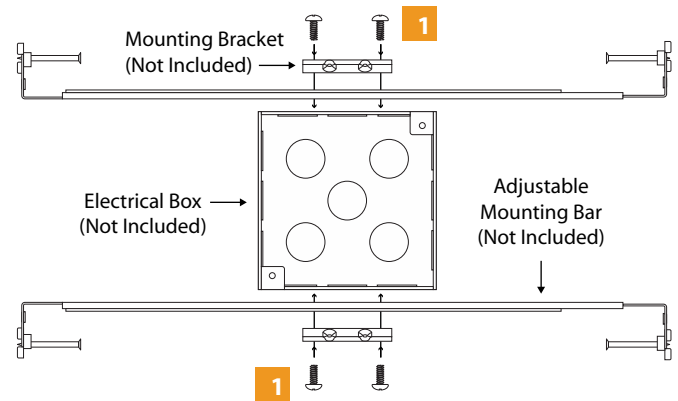
- 5 Finish installation by following steps in "Install Low Voltage Canopy" Section

Note: Electrical box must be minimum 2.2" deep. Otherwise refer to Option 2: New Construction to install the 2.2" deep electrical box with hanger bars.

- This product is ETL listed for indoor dry locations.
- This product mounts to a standard electrical box, minimum 2.2" deep, using the 2" plaster ring provided.
- Minimum electric box volume must be 6 cubic inches (98 cubic centimeters).
- This product is for use only with LED fixture.

Option 2: New Construction

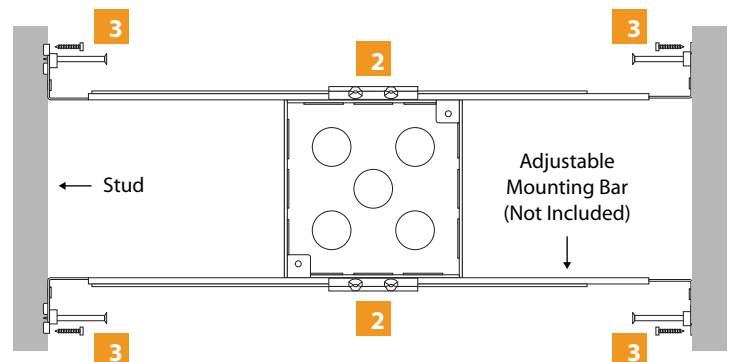
- 1 Mount each adjustable mounting bar to one side of the electrical box and secure them with the mounting brackets and two Phillips screws.



Note: Adjustable mounting bars mount to studs that are spaced apart.

- 2 Select the location between the two studs for the electrical box to be mounted.

- 3 Place the adjustable mounting bar tabs between the studs. Secure the adjustable bars to the studs with the #8 screws.



Note: Electrical box must be mounted to allow clearance of 1/2" between the face of the junction box and the drywall surface.

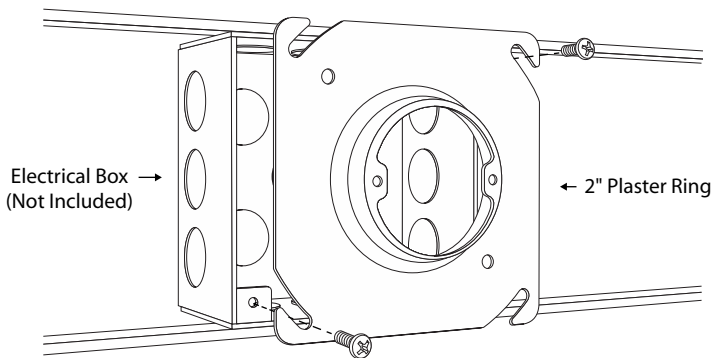
Installation instructions for ADPJBOX2

2" Plaster Ring Adapter for Standard 4" Electrical Box.

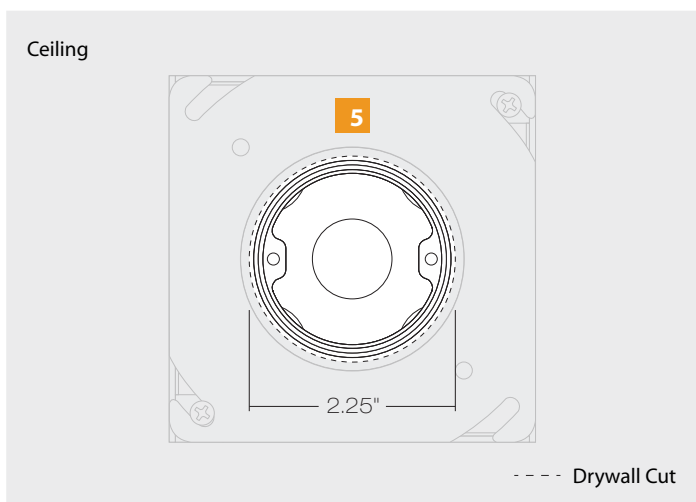
Option 2: New Construction (Continuation)

- 4 Install the 2" Plaster Ring Adapter to the electrical box using two #8-32 screws.

Note: Electrical box must be mounted to allow clearance of 1/2" between the face of the junction box and the drywall surface.



- 5 Use a circular saw to cut out the drywall section where the electrical box opening is located.

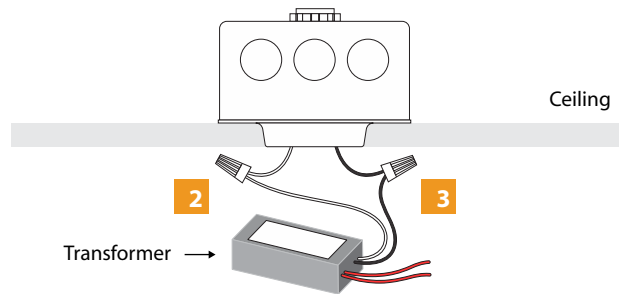


- 6 Install the drywall. If necessary, plaster and finish the drywall.

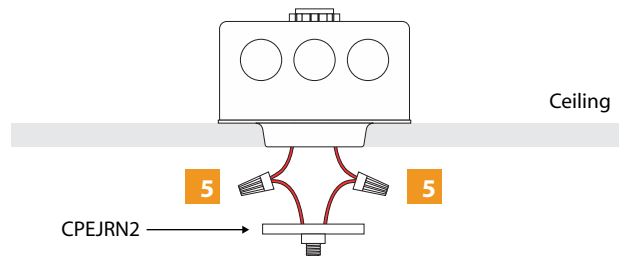
- 7 Finish installation by following steps in "Install the Low Voltage Canopy" section

Install the Low Voltage Canopy

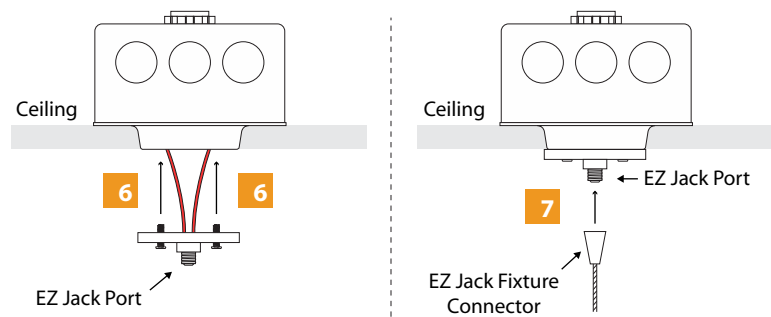
- 1 Turn off Power.
- 2 Connect white transformer wires to NEUTRAL using wire nuts.
- 3 Connect black transformer wires to HOT using wire nuts.



- 4 Place the transformer and connections inside the electrical box.
- 5 Connect each transformer wire to one wire of the Low Voltage Canopy with a wire nut.



- 6 Place all wires and wire nut connections properly inside the electrical box. Mount the Low Voltage Canopy to the 2" Plaster Ring using screws provided.
- 7 Use fingers to tighten the EZ Jack connector into the port.



SAVE THESE INSTRUCTIONS