

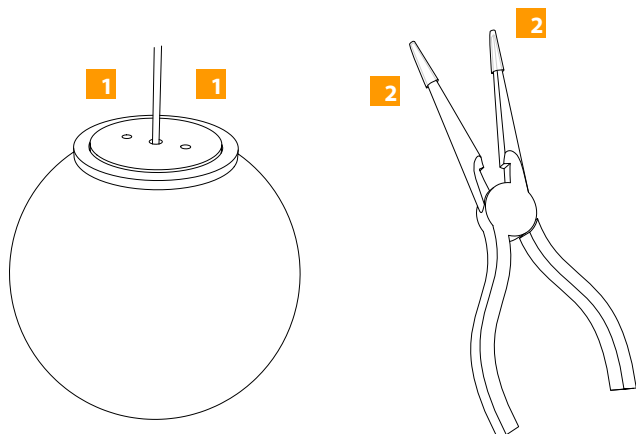
## Supplies required:

- Thin needle nose pliers
- Tape (Painters, Masking, Duct, or Electrical will work)

**NOTE:** A roll of tape makes an excellent holder for the glass globe, and will prevent it from rolling on your work surface

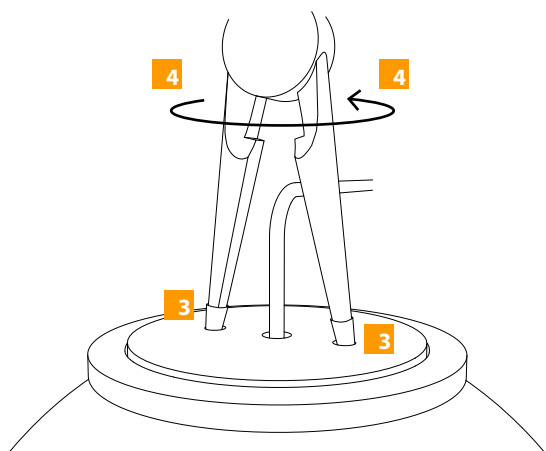
**1** Remove pendant from canopy and set on work surface with coax facing upward.

**2** Wrap needle nose tips with tape to prevent damage to fixture finish.

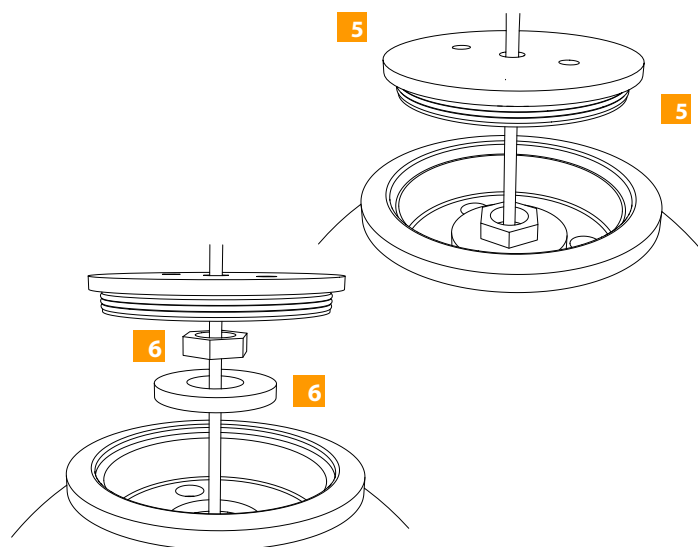


**3** Open needle nose pliers and set each tip in the two holes in the fixture cap.

**4** While holding fixture steady, rotate pliers counterclockwise to loosen the cap.

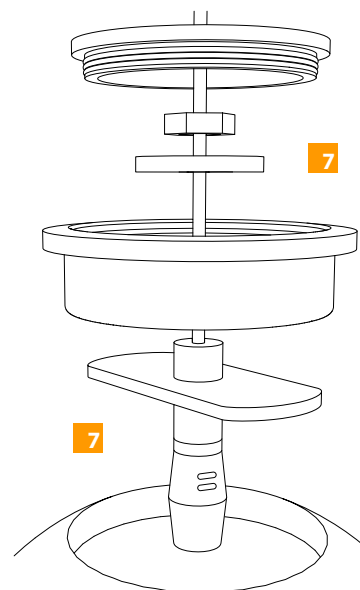


**5** Once cap is loose, use fingers to unscrew and remove the cap. Gently slide the cap and stem away from fixture.



**6** Remove the center brass nut to loosen fitter assembly. In older fixtures, three screws will hold the fitter together instead of this brass nut

**7** Disassemble fitter and lay out as pictured.



**8** Replace lamp and reassemble fixture by reversing steps 3-7

**9** Reinstall fixture to test

**SAVE THIS INSTRUCTIONS**