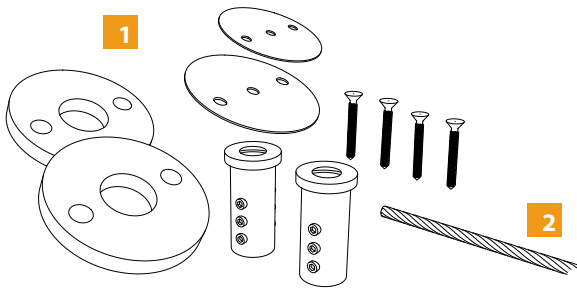
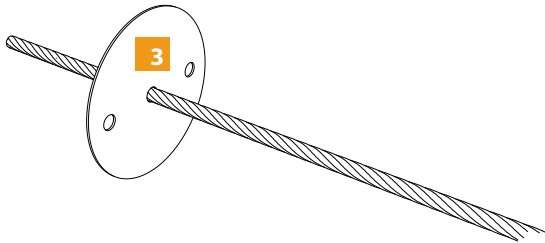


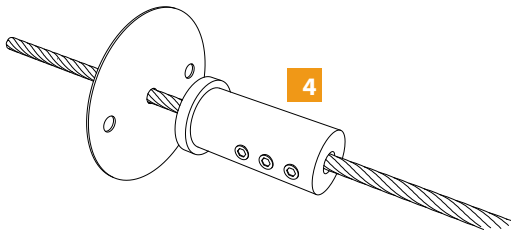
- 1** Unpack all items **2** Lay cable out



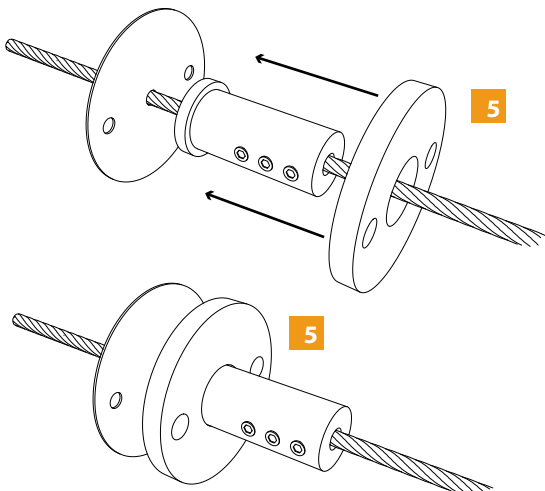
- 3** Feed cable through plastic wall mounting isolation piece.



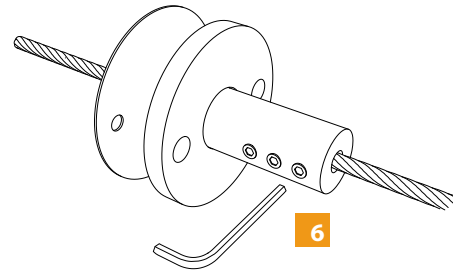
- 4** Feed cable through 1.5" round cylinder for holding cable.



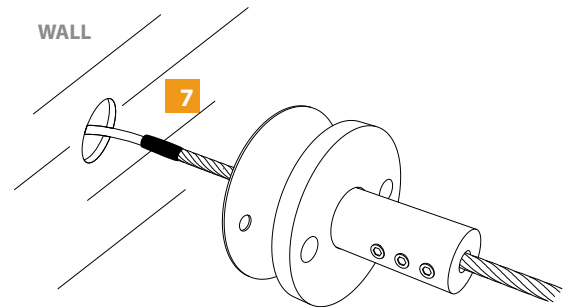
- 5** Feed cable through 1.75" round wall mount piece.



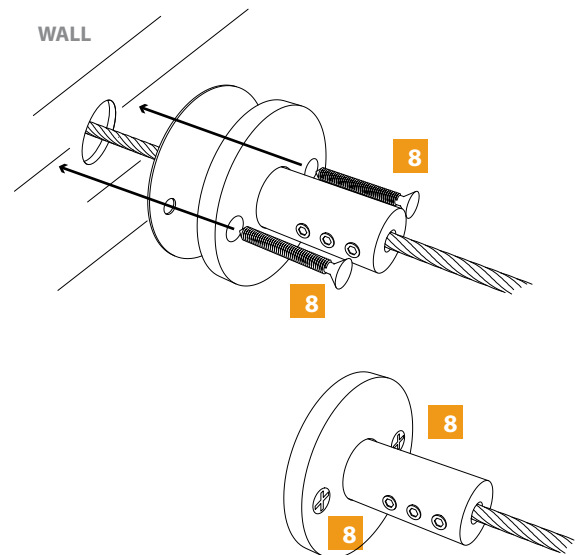
- 6** Tighten down set screws on 1.5" round cylinder so the cable is secured.



- 7** Connect 12AWG solid copper wire, from transformer to cable system cable, using crimp style butt splice.



- 8** Pull all parts together and mount into the wall with the screws.



- 9** Repeat.

- 10** Power.