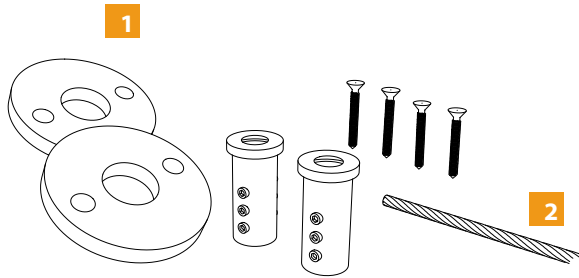
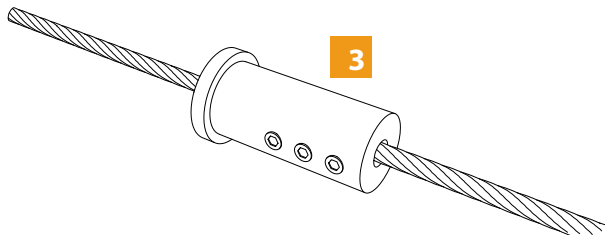


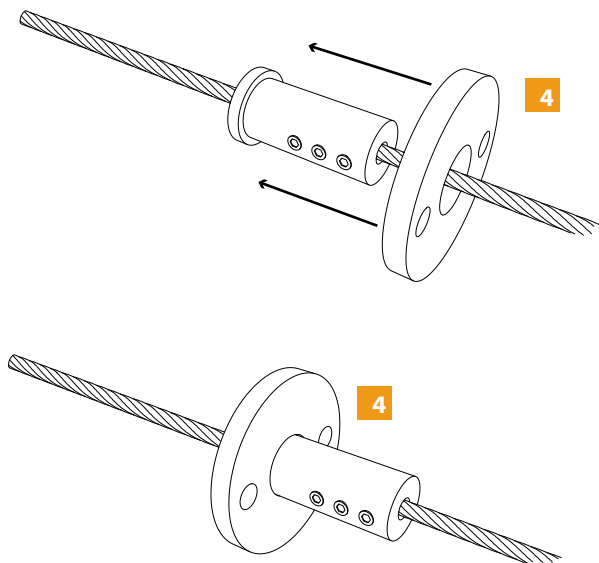
- 1 Unpack all items
- 2 Lay cable out



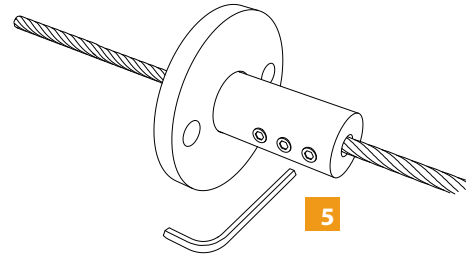
- 3 Feed cable through 1.5" round cylinder for holding cable.



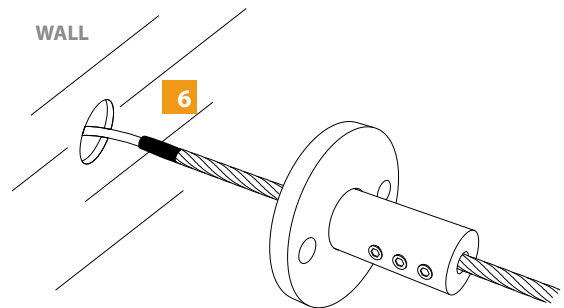
- 4 Feed cable through 1.75" round wall mount piece.



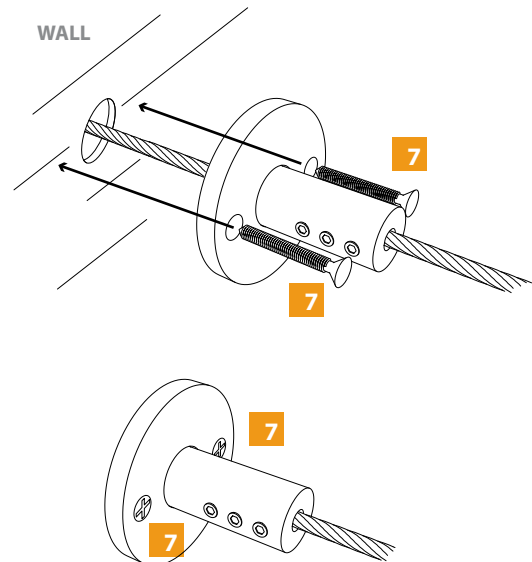
- 5 Tighten down set screws on 1.5" round cylinder so the cable is secured.



- 6 Wire the cable.



- 7 Pull all parts together and mount into the wall with the screws.



- 8 Repeat.

- 9 Power.