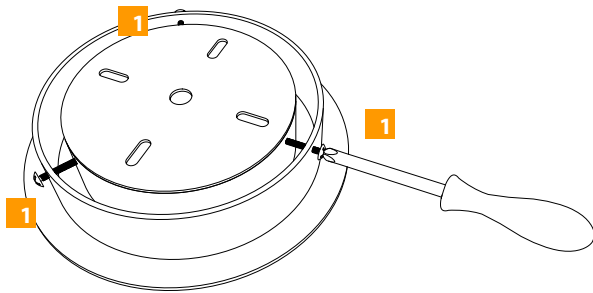
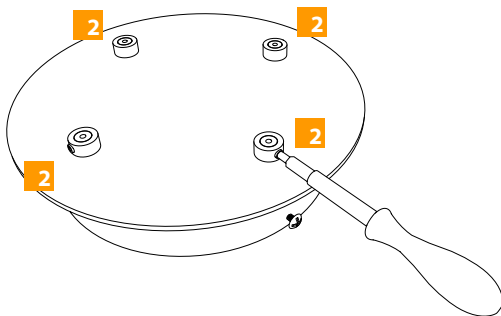


Strain Relief Canopy Instructions (Line Voltage)

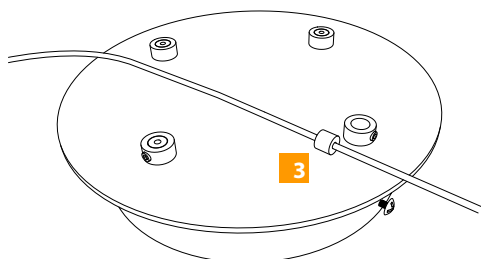
1 Remove backplate from canopy face.



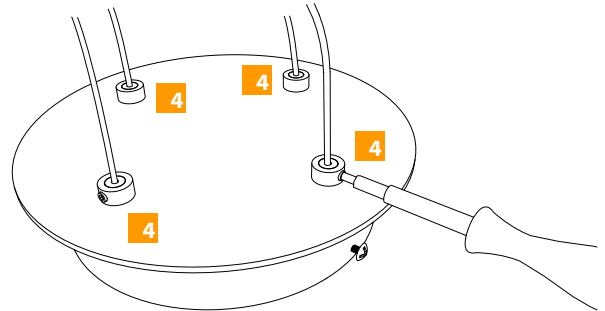
2 Loosen strain relief screw releasing the rubber strain relief bushing.



3 Remove rubber strain relief bushing and insert onto the COAX, adjust to desired length on the COAX.

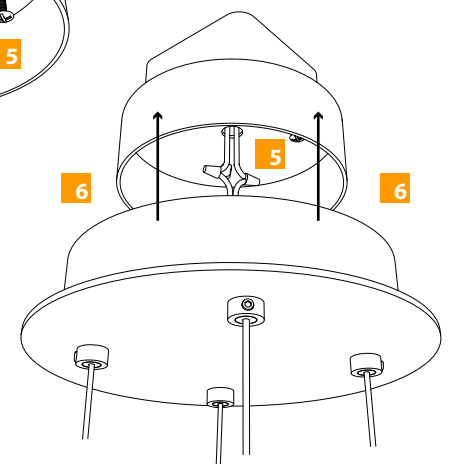
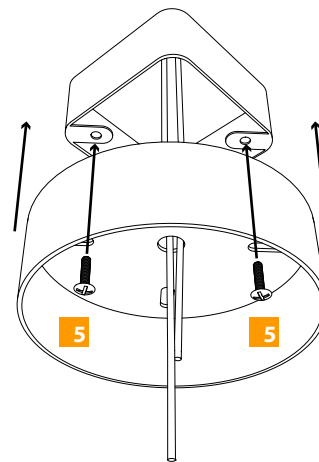


4 Reinstall rubber strain relief bushing with COAX. Tighten down on the strain relief screw securing the fixture and COAX at its desired length.



5 Mount the backplate to the ceiling, and wire the canopy into the power source.

6 Attach canopy face with fixtures to the canopy mounting plate.



9 Apply power.

SAVE THESE INSTRUCTIONS