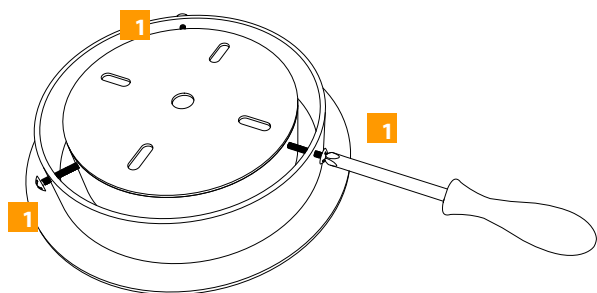
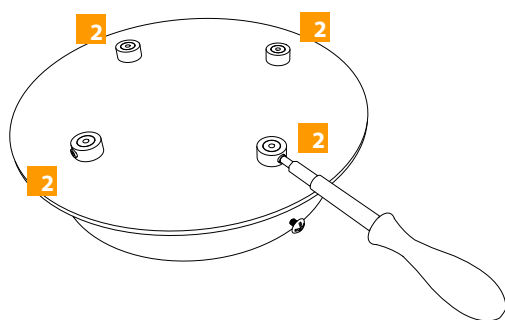


## Strain Relief Canopy Instructions (Low Voltage)

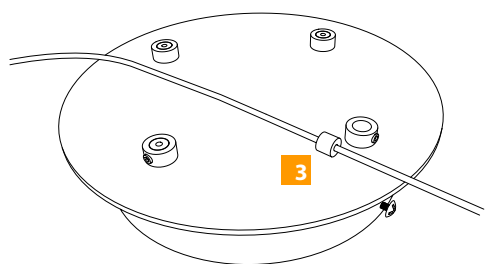
- 1** Remove backplate from canopy face.



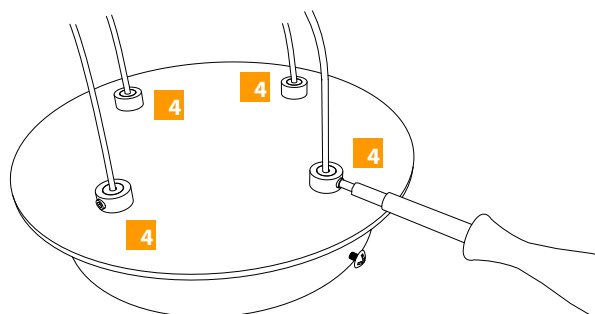
- 2** Loosen strain relief screw releasing the rubber strain relief bushing.



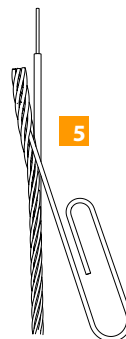
- 3** Remove rubber strain relief bushing and insert onto the COAX, adjust to desired length on the COAX.



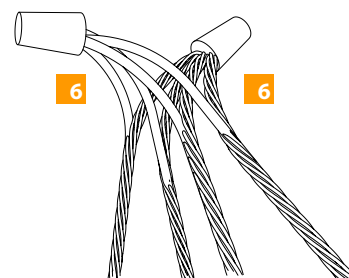
- 4** Reinstall rubber strain relief bushing with COAX. Tighten down on the strain relief screw securing the fixture and COAX at its desired length.



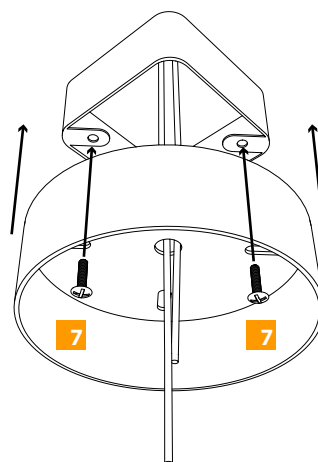
- 5** Use a paperclip or small pointed object to split the braiding of the COAX. Split 1"-2" of the braiding from the COAX for comfortable wiring options.



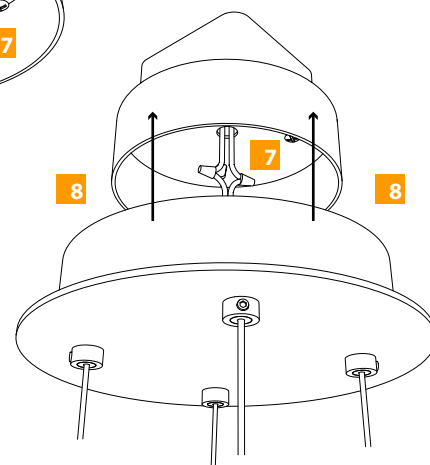
- 6** Strip the end of the inner COAX wire and wire the polarities to the outputs on the driver. Make sure all braids are connected, all inner wires are connected. If these are not connected in like groups, it will end up causing a short.



- 7** Mount the backplate to the ceiling, and wire the canopy into the power source.



- 8** Attach canopy face with fixtures to the canopy mounting plate.



- 9** Apply power.

SAVE THESE INSTRUCTIONS