

SAVE THESE INSTRUCTIONS



CAUTION: RISK OF FIRE:

Never replace a Xenon lamp with a regular Halogen lamp.
A regular Halogen lamp requires a protective glass shield.

- This product must be installed by a qualified electrician.
- Turn off power at circuit breaker before installing.
- To reduce risk of fire or electrical shock use this fixture indoors only.
- This product is **ETL** listed and suitable only for indoor dry locations and approved for use at any height above the finished floor.
- Use **MAX** D5 LED MR16 5W, M5 MR16 Halogen 50W Bi-Pin Lamp.

INSTALL THE LAMP & SHADE

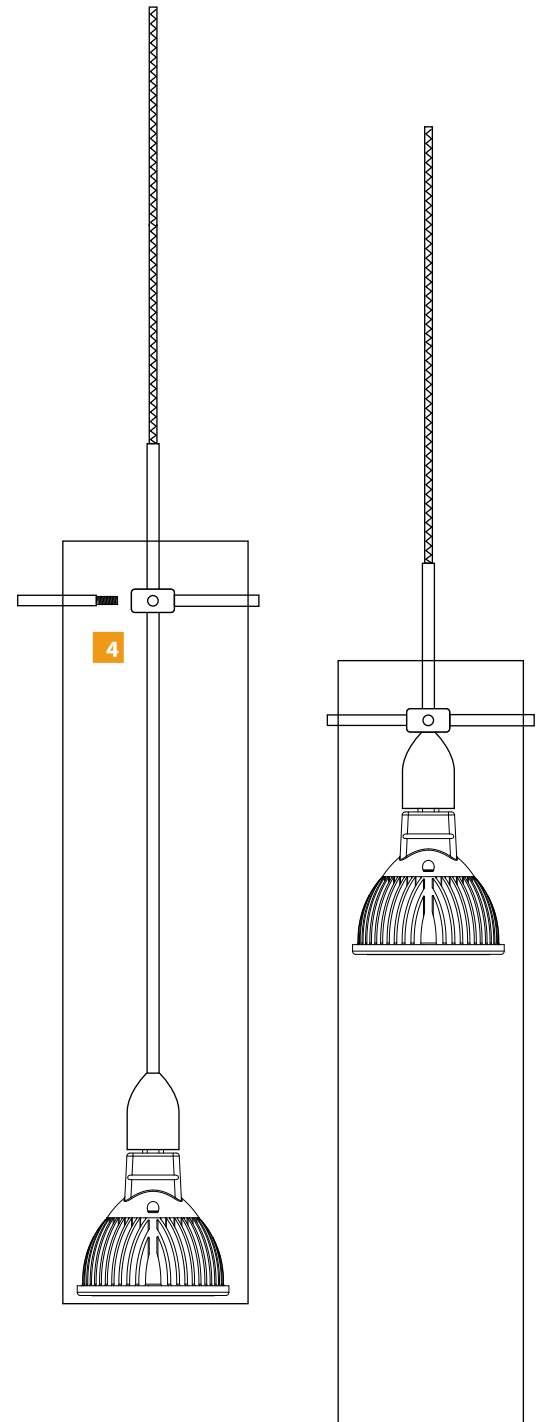
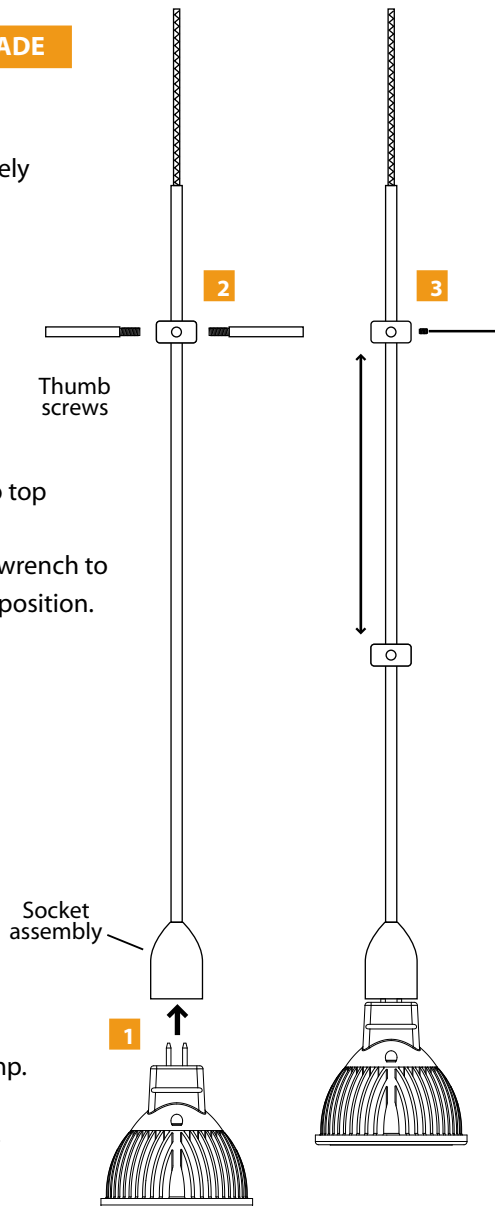
1 Push the lamp completely into the socket.

2 Remove the three thumb screws.

3 Bulb can be adjusted to top or bottom.
Use the provided allen wrench to adjust desired slip ring position.

NOTE:
Use only your fingers and soft cloth to replace the lamp.

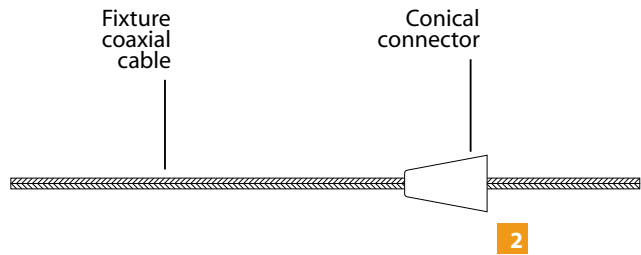
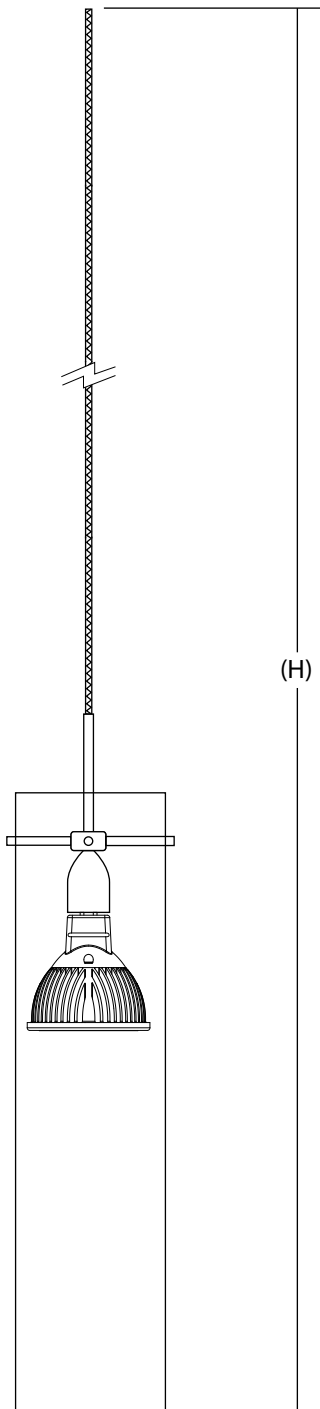
Use **MAX** D5 LED MR16 5W,
M5 MR16 Halogen 50W
Bi-Pin Lamp.



4 Place the glass shade completely into the ring and tighten the three thumb screws to secure the glass shade in place.

ADJUST THE FIXTURE HEIGHT

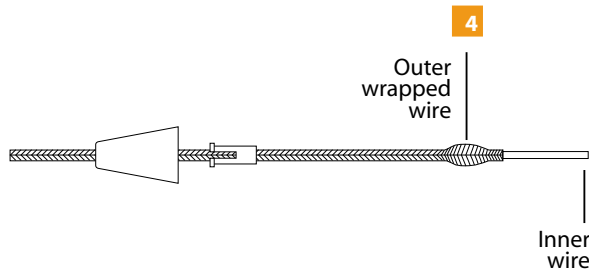
- 1** Cut the coaxial cable to the desired length with a sharp cutter. The overall fixture height (H) is measured from bottom of the glass shade to end of the coaxial cable.



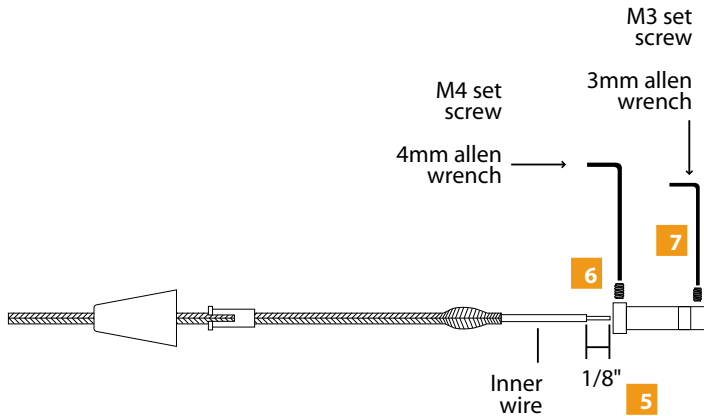
- 2** Insert the coaxial cable into the cone shaped connector through the narrow end and exiting the wide end.



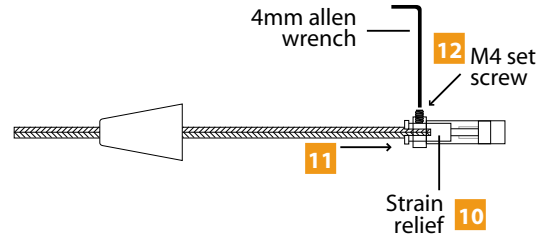
- 3** Insert the coaxial cable through the flared end of the strain relief.



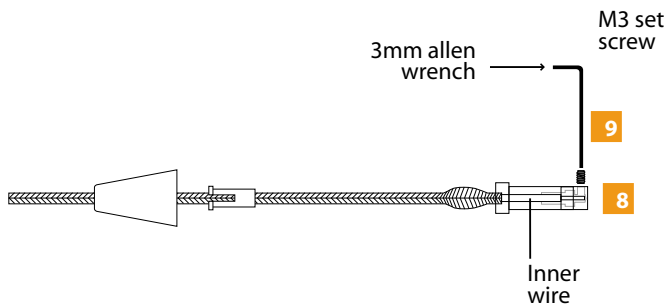
- 4** After coaxial cable is inserted through the strain relief, slide the outer wrapping of the cable back to expose the inner wire, approx. 1".



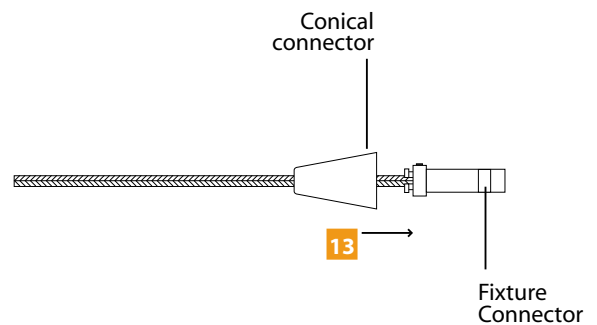
- 5** Strip 1/8" of insulation from end of inner wire. Make sure that the stripped portion is not more than 3/16" long.
- 6** Loosen (Do Not Remove) the M4 set screw with the provided matching allen wrench.
- 7** Remove the M3 set screw with the provided matching allen wrench.



- 10** The strain relief slots should be rotated 90° away from the M4 set screw, so that the screw does not fall into the slot in the strain relief.
- 11** Slide and push the strain relief completely into the connector. This will force the outer wrapped wire to be inserted into the connector.
- 12** Tighten the M4 set screw with with the provided matching allen wrench, so that the strain relief holds the outer wrapped wire in place. It is important that the strands of the outer wrapping be inside the strain relief, with no strands hanging outside the strain relief.



- 8** While inserting the inner wire into the connector look through the set screw hole to make sure that the stripped portion of the inner wire contacts end of the connector.
- 9** Hold the coaxial cable in place; replace and tighten the M3 set screw with the provided matching allen wrench. Lightly tug on the coaxial cable to make sure that the set screw connection is tight.



- 13** Slide the conical connector over the fixture connector.

To install the fixture, refer to the instructions provided with the system.

INSTALL FIXTURE EZ JACK

- 4** Insert male EZ Jack all the way into the female port screw on and tighten cone shaped connector.

Turn on the circuit breaker.

