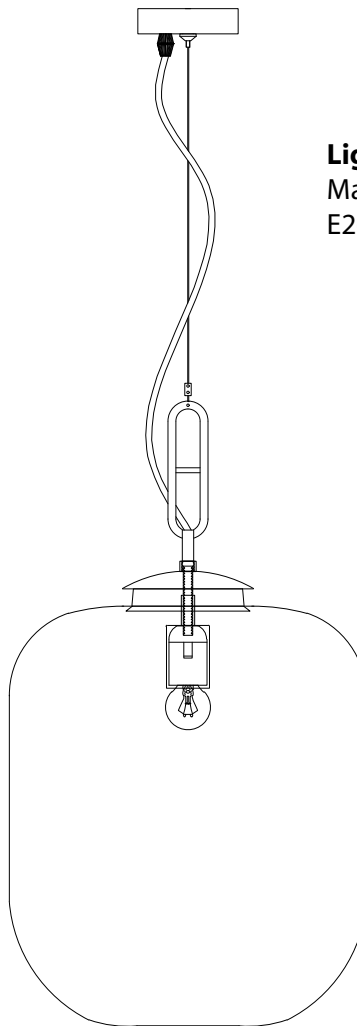


VERY IMPORTANT:

This glass is subject to scratching if mishandled. Please follow below procedures when installing.

- Glass was inspected and found to be scratch free during quality control. _____ x
- Leave the glass packaged in the bag and box until the fitter assembly is mounted, and the glass is ready to hang.
- Do not remove glass from the bag until it has been mounted to the fitter.



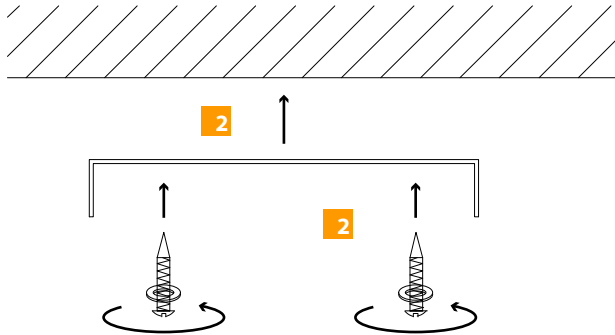
Light Source:
Max. 60W, Incandescent,
E26 Base, 118V.

Notice:

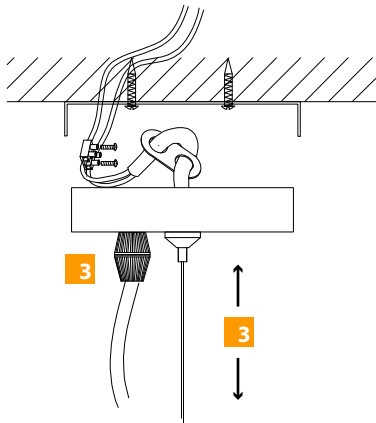
1. Rated voltage 120VAC. Light source <60W
2. When installing, to avoid scratching leave the glass in the bag and box until the fitter assembly and canopy is mounted.
3. The black wire on the fitter should be connected to the live wire. The white wire connects to the neutral.
The copper ground wire connects to the ground.
4. Do not clean with any chemicals. Simply wipe with a damp cloth for cleaning.
5. Must be installed by a certified electrician.
6. Before installing, cleaning, or replacing the bulbs, turn power off at the breaker.

1 Turn power off at the breaker.

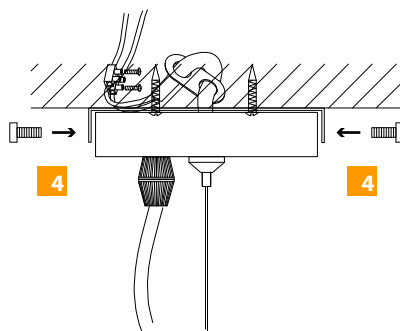
2 Remove and mount the canopy crossbar with provided screws.



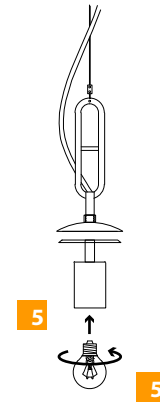
3 Adjust wire and safety cable to desired length for the fixture. Ensure the plastic strain relief loop in the canopy is adjusted to the correct position.



4 Wire the fixture and mount the canopy to the crossbar.

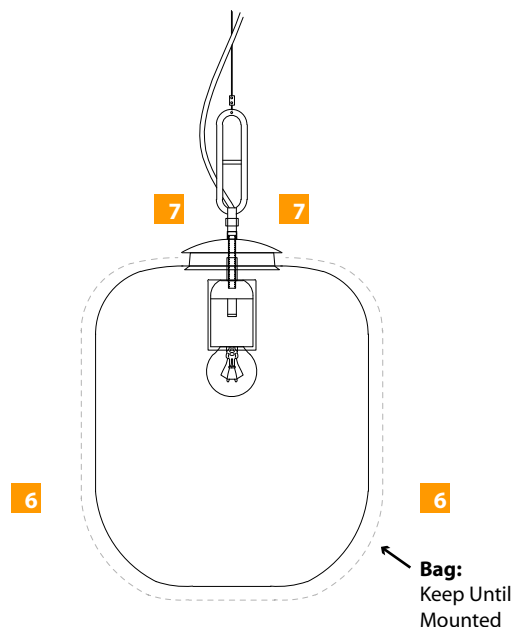


5 Install the bulb.



6 Remove glass from the box, but **leave it in the bag until it has been mounted** to the fitter to avoid possible scratching.

7 Mount the glass to the fitter and secure with set screws. Ensure the glass is level and properly centered. Tighten screws to firmly secure the glass, **Do Not** over tighten as the glass may crack.



8 Remove the bag from the mounted glass.

9 Apply power to the fixture.

SAVE THIS INSTRUCTIONS