



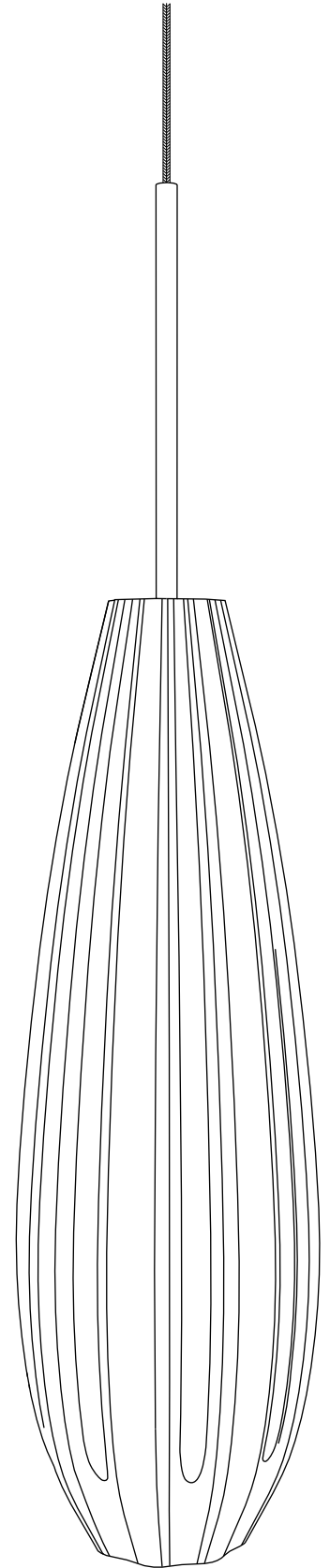
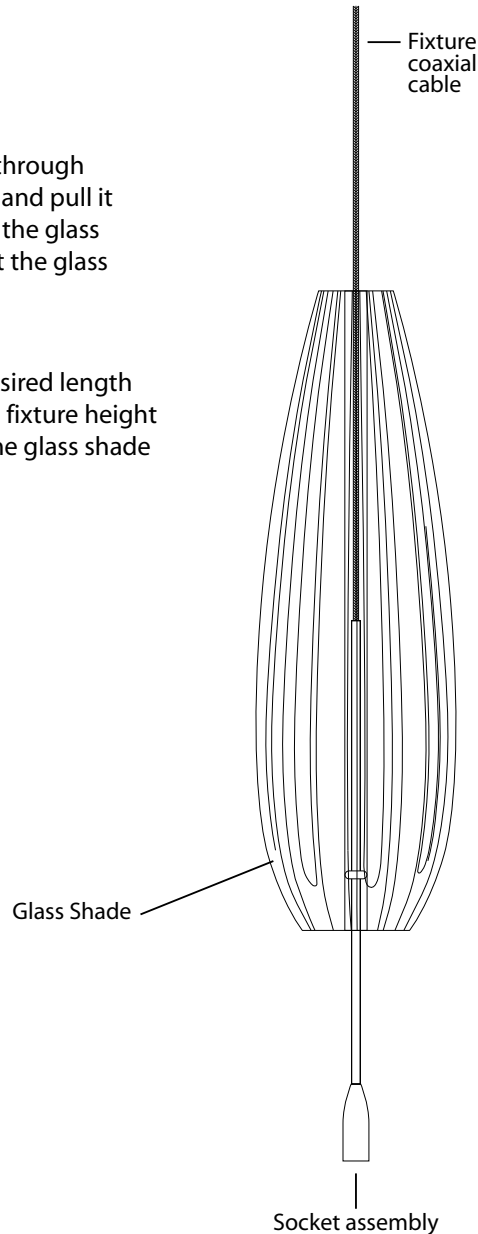
Use 20W Halogen Lamp (5,000 hr.) - **LMPX2**
or 2W LED G4 JC Lamp (5,000 hr.) - **LMPL2**

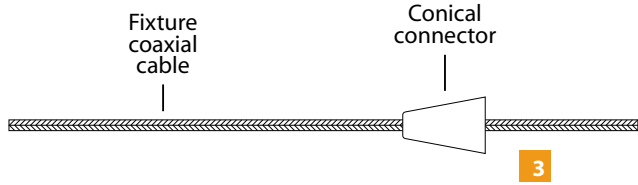
SAVE THESE INSTRUCTIONS

- This product must be installed by a qualified electrician.
- Turn off power at circuit breaker before installing.
- To reduce risk of fire or electrical shock use this fixture indoors only.
- This product is ETL listed and suitable only for indoor dry locations and approved for use at any height above the finished floor.

ADJUST THE FIXTURE HEIGHT

- 1** Feed the fixture coaxial cable through the bottom of the glass shade and pull it up through the top hole. Slide the glass shade down the cable and rest the glass on the socket assembly.
- 2** Cut the coaxial cable to the desired length with a sharp cutter. The overall fixture height is measured from bottom of the glass shade to end of the coaxial cable.





3 Cut coaxial cable to desired hanging length of the pendant and insert the fixture coaxial cable through the conical connector

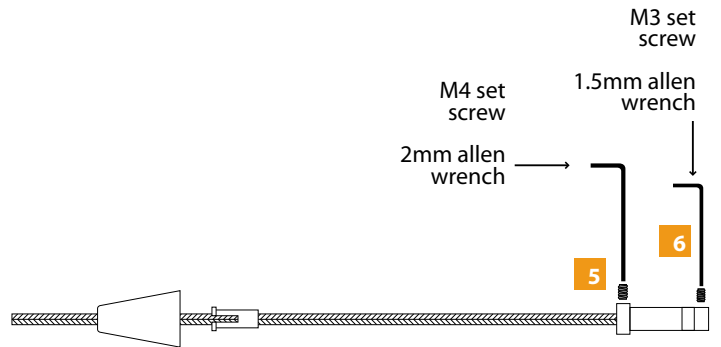
Note

After cutting the coaxial wire to desired length, make sure to slightly reshape the cut tip of the coax wire such that the inner insulated wire is visible and does not appear pinched and hidden beneath the coax jacket after cutting to length.

Using either thumb and index fingers or gently using pliers to do the reshaping of the tip.

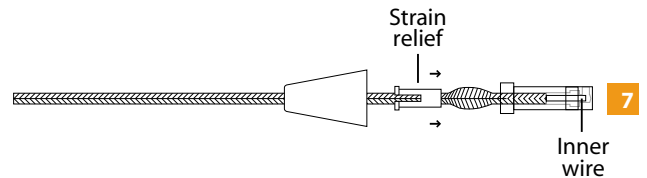


4 Insert the coaxial cable through the flared end of the strain relief.

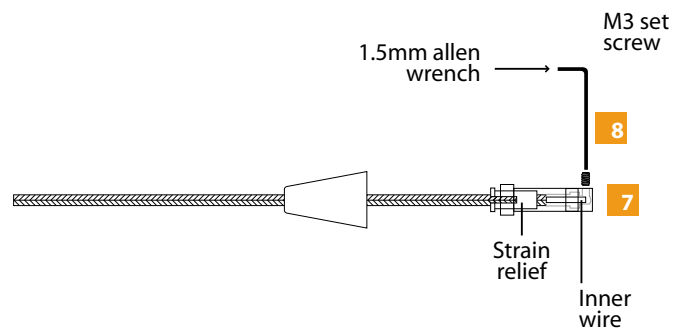


5 Loosen (Do Not Remove) the M4 set screw with the provided 2mm Allen wrench.

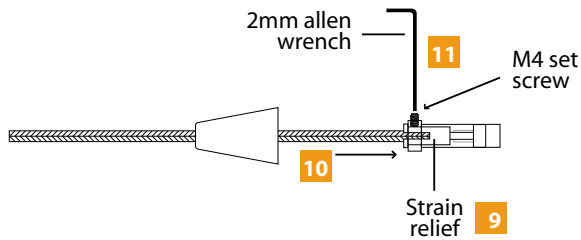
6 Remove the M3 set screw with the provided 1.5mm Allen wrench.



7 Insert the coax wire into the connector and you'll notice the coaxial braid will start to bulge, while continually inserting the wire into the connector start to slide the strain relief closer into the connector opening until the coaxial wire terminates with it's inner wire visible through the TIP of the connector. Meanwhile insert the strain relief inside the connector until it is flush.



8 Hold the coaxial cable in place; replace and tighten the M3 set screw with the 1.5MM Allen wrench. Lightly tug on the coaxial cable to make sure that the set screw connection is tight.

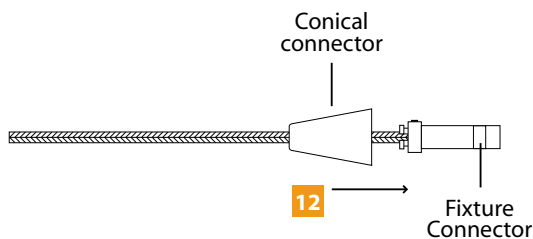


9 The strain relief slots should be rotated 90° away from the M4 set screw.

10 Slide and push the strain relief completely into the connector.

This will force the outer wrapped wire to be inserted into the connector.

11 Tighten the M4 set screw with the 2mm allen wrench so that the strain relief holds the outer wrapped wire in place.

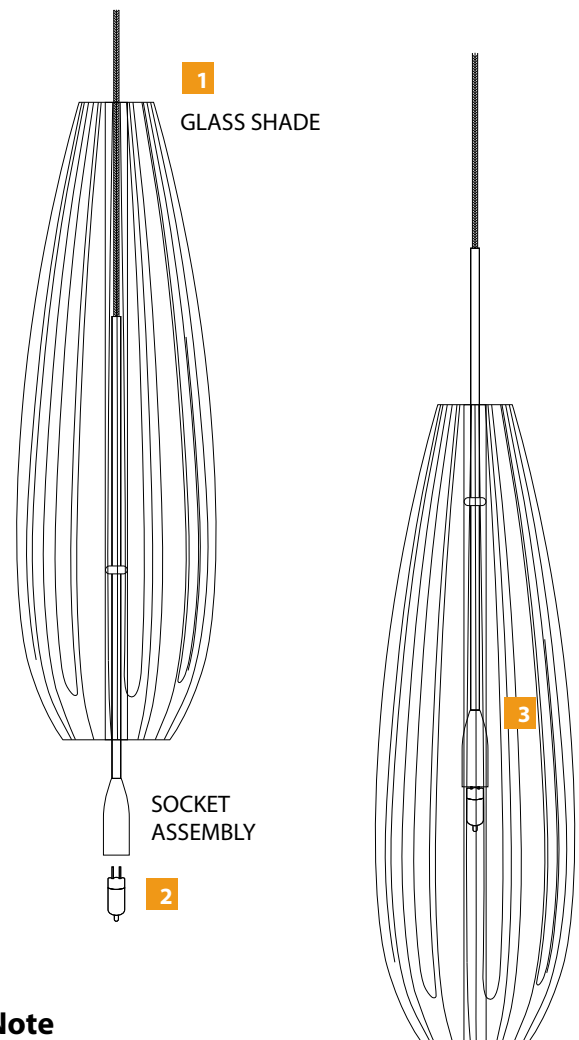


12 Slide the conical connector over the fixture connector.

WARNING: RISK OF FIRE
Never replace a Xenon (Xelogen) lamp with a regular Halogen lamp. A regular Halogen lamp requires a protective glass shield.

INSTALL THE LAMP

- 1** Lift the glass shade up to expose the socket.
- 2** Push the lamp pins completely into the socket holes.
- 3** Lower the glass shades onto the socket assembly



■ **Note**
Use only your fingers and soft cloth to replace the lamp.

Use 20W Halogen Lamp (5,000 hr.) - **LMPX2**
or 2W LED G4 JC Lamp (5,000 hr.) - **LMPL2**

SAVE THESE INSTRUCTIONS