

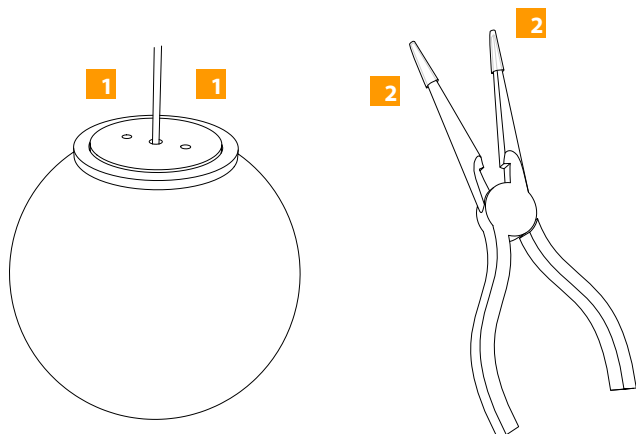
Supplies required:

- Thin needle nose pliers
- Tape (Painters, Masking, Duct, or Electrical will work)

NOTE: A roll of tape makes an excellent holder for the glass globe, and will prevent it from rolling on your work surface

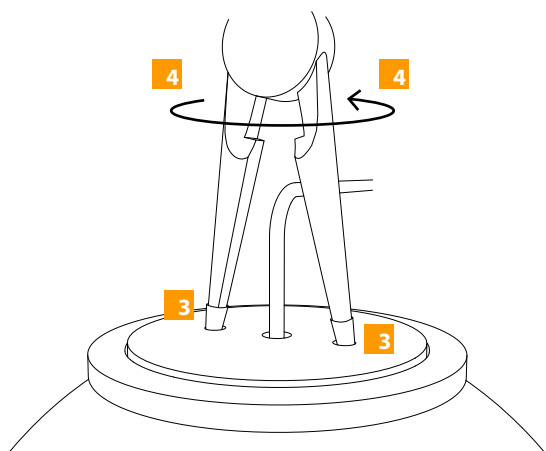
1 Remove pendant from canopy and set on work surface with coax facing upward.

2 Wrap needle nose tips with tape to prevent damage to fixture finish.

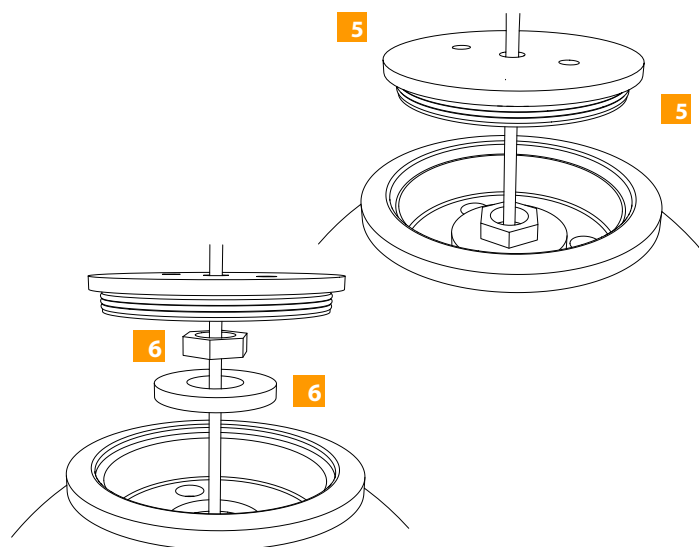


3 Open needle nose pliers and set each tip in the two holes in the fixture cap.

4 While holding fixture steady, rotate pliers counterclockwise to loosen the cap.

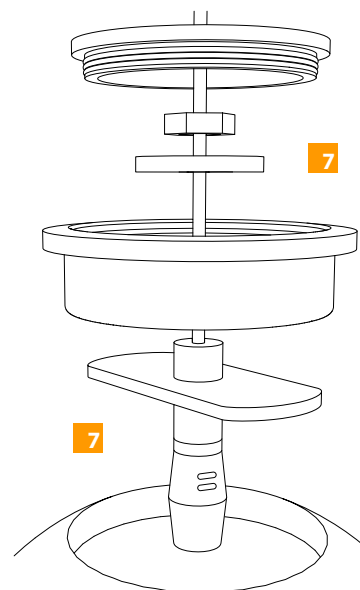


5 Once cap is loose, use fingers to unscrew and remove the cap. Gently slide the cap and stem away from fixture.



6 Remove the center brass nut to loosen fitter assembly. In older fixtures, three screws will hold the fitter together instead of this brass nut

7 Disassemble fitter and lay out as pictured.



8 Replace lamp and reassemble fixture by reversing steps 3-7

9 Reinstall fixture to test

SAVE THIS INSTRUCTIONS

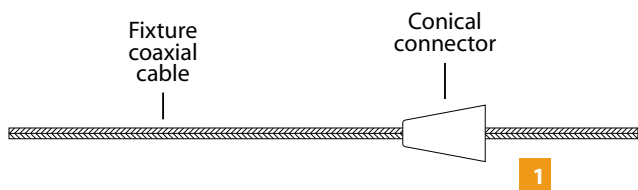


INSTALLATION VIDEO:

Scan this QR Code or visit:
<https://tinyurl.com/ejinstall>
 for a video installation tutorial.



This product is ETL listed and suitable only for indoor dry locations and approved for use at any height above the finished floor.



- 1 Cut coaxial cable to desired hanging length of the pendant and insert the fixture coaxial cable through the conical connector

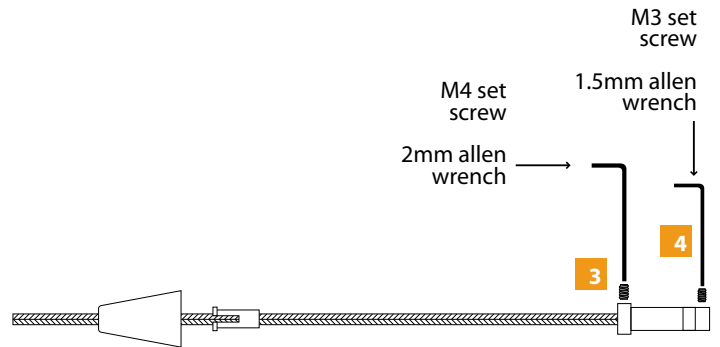
Note

After cutting the coaxial wire to desired length, make sure to slightly reshape the cut tip of the coax wire such that the inner insulated wire is visible and does not appear pinched and hidden beneath the coax jacket after cutting to length.

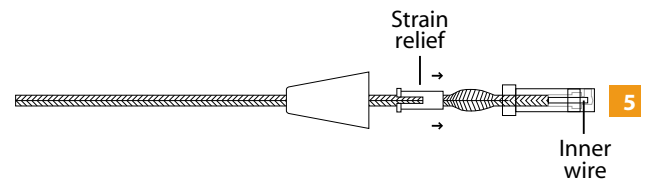
Using either thumb and index fingers or gently using pliers to do the reshaping of the tip.



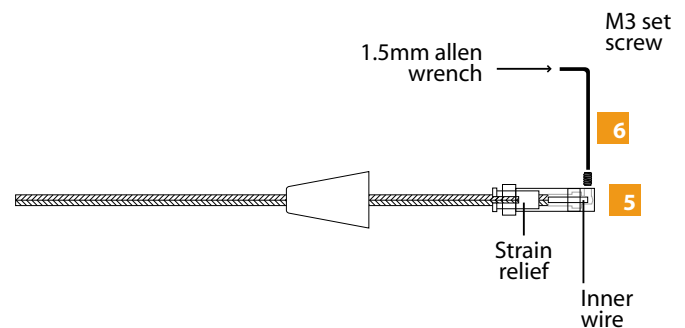
- 2 Insert the coaxial cable through the flared end of the strain relief.



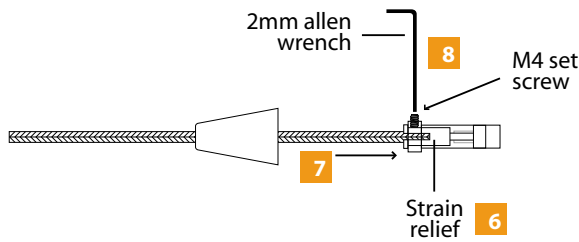
- 3 Loosen (Do Not Remove) the M4 set screw with the provided 2mm Allen wrench.
- 4 Remove the M3 set screw with the provided 1.5mm Allen wrench.



- 5 Insert the coax wire into the connector and you'll notice the coaxial braid will start to bulge, while continually inserting the wire into the connector start to slide the strain relief closer into the connector opening until the coaxial wire terminates with it's inner wire visible through the TIP of the connector. Meanwhile insert the strain relief inside the connector until it is flush.



- 6 Hold the coaxial cable in place; replace and tighten the M3 set screw with the 1.5MM Allen wrench. Lightly tug on the coaxial cable to make sure that the set screw connection is tight.

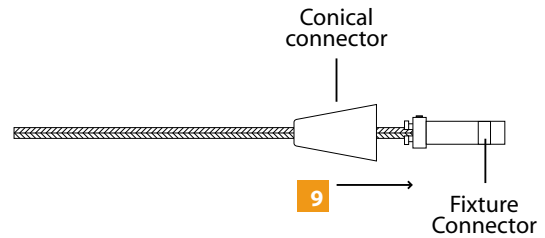


6 The strain relief slots should be rotated 90° away from the M4 set screw.

7 Slide and push the strain relief completely into the connector.

This will force the outer wrapped wire to be inserted into the connector.

8 Tighten the M4 set screw with the 2mm allen wrench so that the strain relief holds the outer wrapped wire in place.



9 Slide the conical connector over the fixture connector.

To install the fixture, refer to the instructions provided with the system.

SAVE THESE INSTRUCTIONS

WARNING: RISK OF FIRE

Never replace a Xenon (Xelogen) lamp with a regular Halogen lamp. A regular Halogen lamp requires a protective glass shield.

TROUBLESHOOTING:

Single pendant will not illuminate:

- 1** Remove lamp from socket and remove pendant from canopy. Using a digital electrician continuity meter, put one probe on the tip of the male connector and the other probe anywhere on the outside sheath of the coax wire, there should be NO continuity, NO beeping.
- 2** If you happen to find there is continuity, you will need to remove the male connector and cut the coax by 1" and redo the connection starting at Step 2.

Multi-light canopy rhythmic flashing:

Brief flashing indicates a short, often in the EZ Jack. To locate:

- 1** Remove all pendants from canopy
- 2** Turn canopy power **on**
- 3** Select one port. Test each fixture in selected port, one by one. **Test all fixtures** to eliminate all possible shorts.
- 4** Any fixture that does not illuminate is the culprit. Swap the bulb with a known working one and retest.
- 5** If fixture fails again, review installation video and reinstall jack.