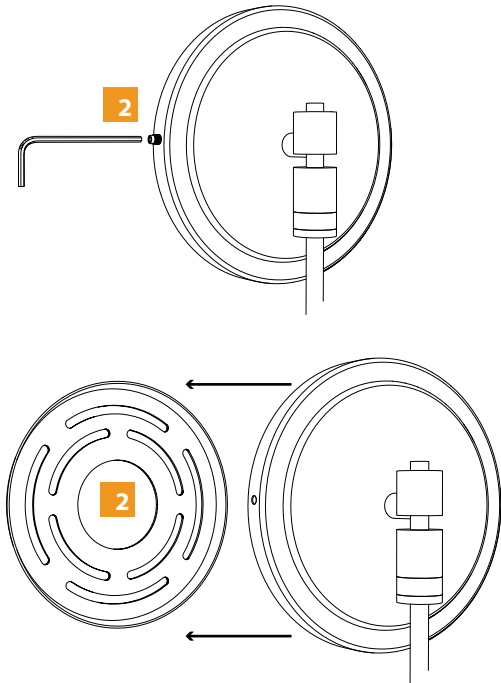
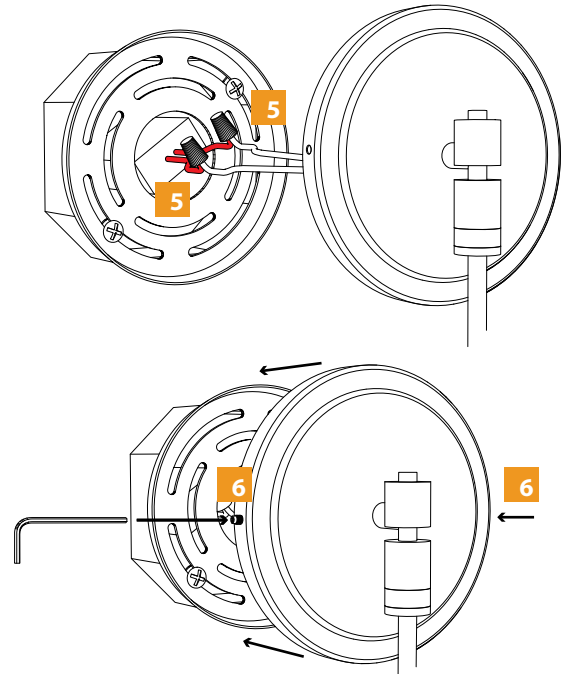


Installation instructions for WS105 Ice Wall Sconce

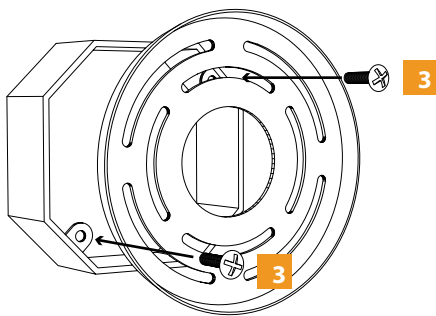
- 1 Turn off power.
- 2 Loosen Hex screws and Remove backplate from body.



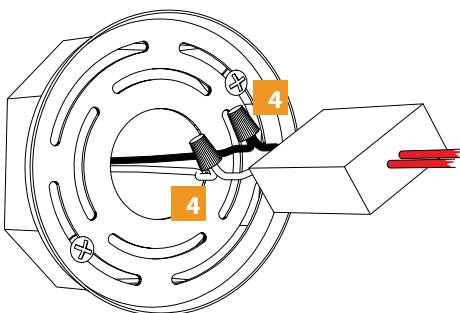
- 5 Wire red transformer output wires to body input wires.
- 6 Mount body onto backplate, which is installed to the junction box.



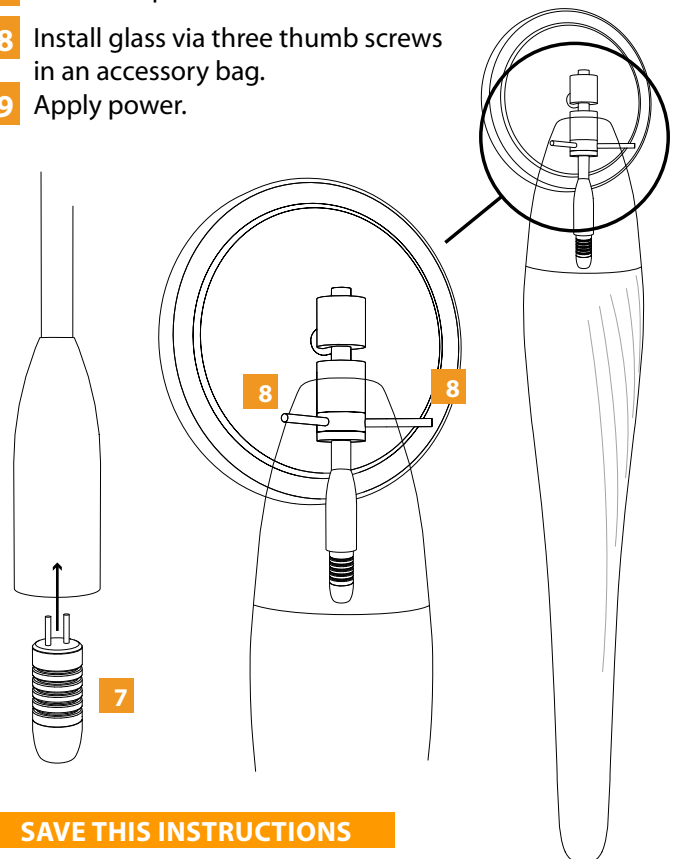
- 3 Install backplate to junction box.



- 4 Wire black and white transformer wires to junction box wires.



- 7 Install lamp.
- 8 Install glass via three thumb screws in an accessory bag.
- 9 Apply power.



SAVE THIS INSTRUCTIONS