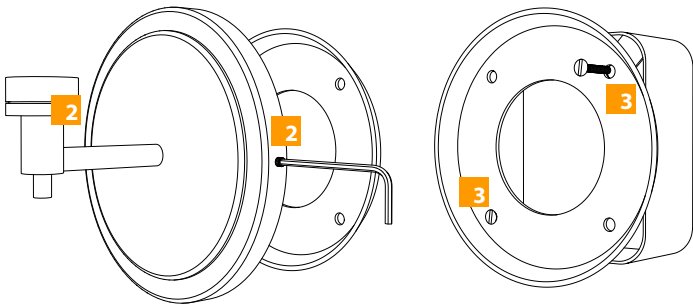
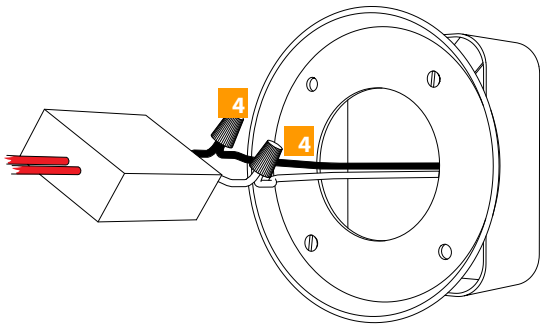


Installation Instructions for WS205 Simple Wall

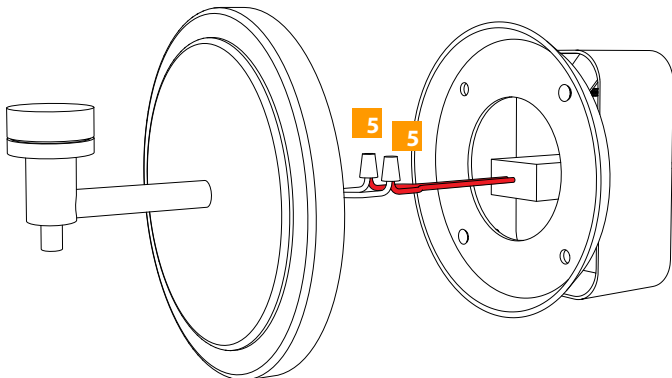
- 1 Turn off power.
- 2 Loosening set screws, remove backplate from backplate cover.
- 3 Install backplate onto junction box.



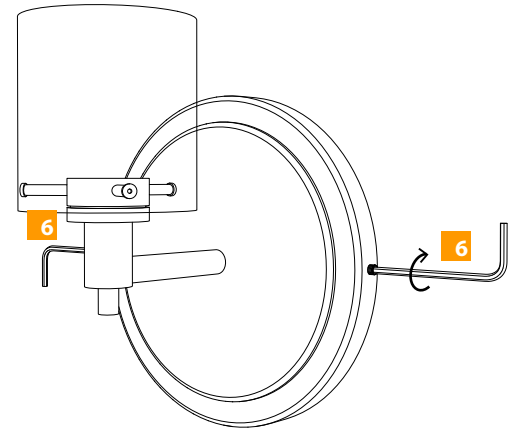
- 4 Using wire nuts provided, connect black and white wires of transformer to wires in j-box.



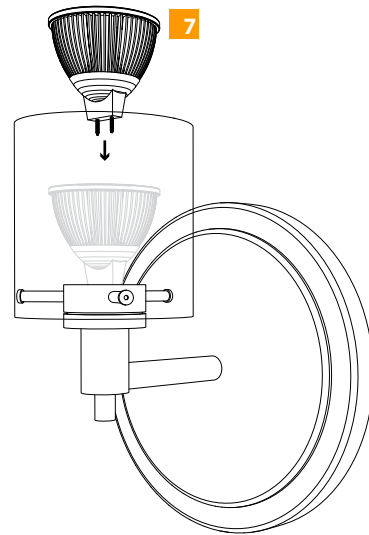
- 5 Connect red transformer wires to fixture wires, using wire nuts provided.



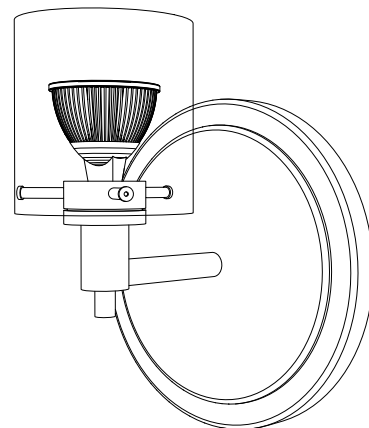
- 6 Install backplate cover on mounted backplate with hex nuts.



- 7 Install lamp.



- 8 Turn on power.



SAVE THIS
INSTRUCTIONS