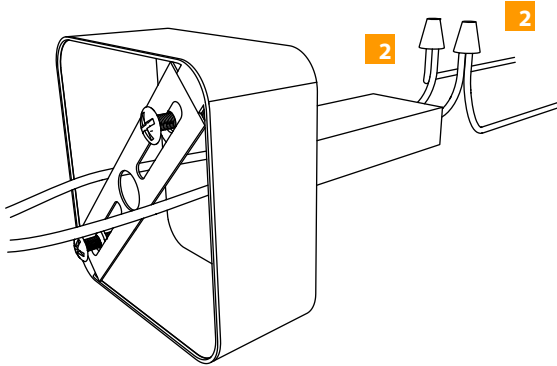
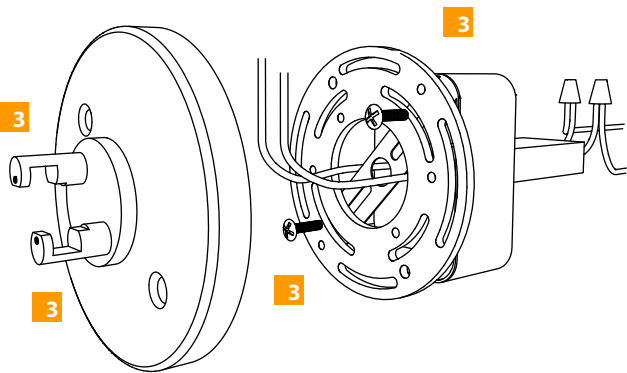


1 Turn power off at the breaker.

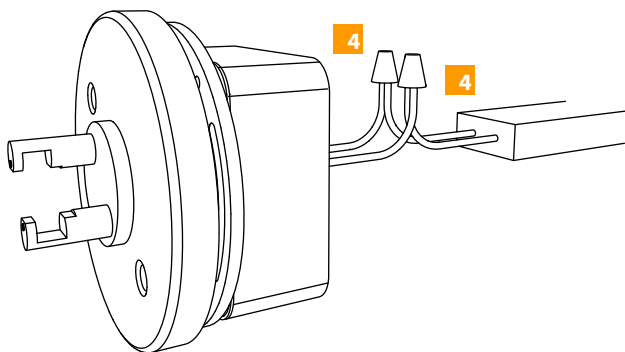
2 Wire transformer into junction box.



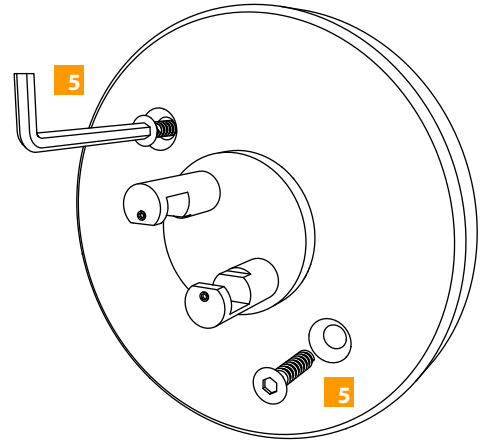
3 Remove backplate from canopy face and install onto the junction box. Ensure screw points for the canopy mounting are aligned properly for installation on the rail.



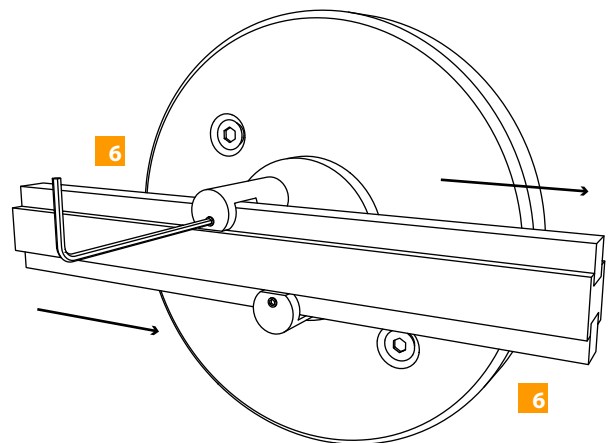
4 Wire canopy to transformer.



5 Mount the canopy to the wall with flat head screws with provided allen key.



5 Slide rail through the canopy and tighten down on set screws to bite the rail, to make solid contact.



7 Finish installation of other rail components then apply power!

SAVE THIS INSTRUCTIONS