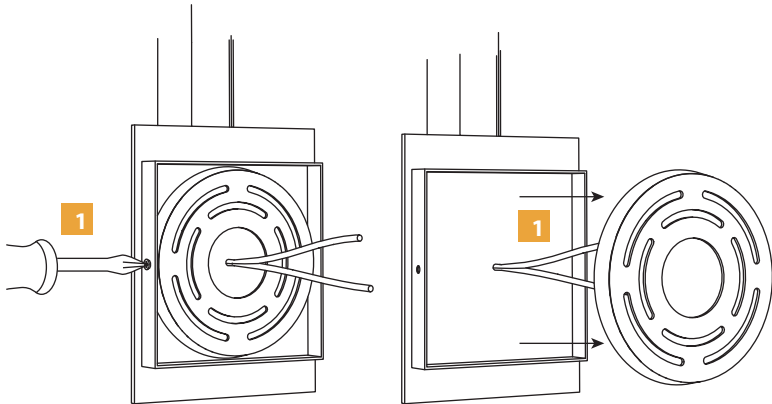


SAVE THESE INSTRUCTIONS



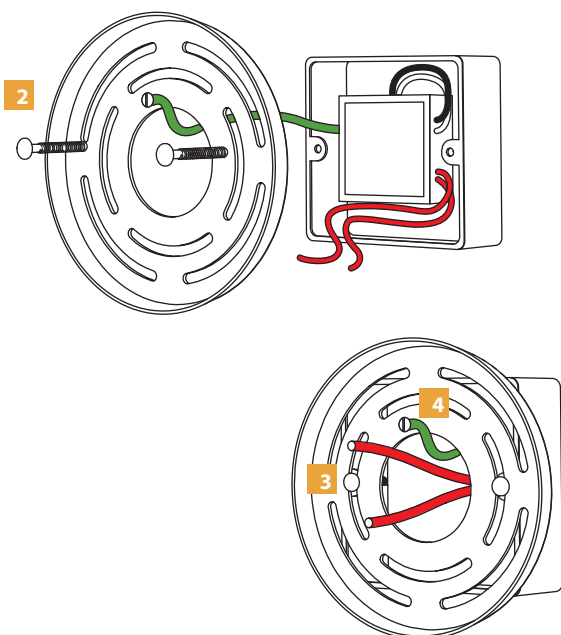
This product is ETL listed and suitable only for indoor dry locations and approved for use at any height above the finished floor. Meets ADA criteria.

- 1 Unpack ZoZo Wall and remove backplate from it.

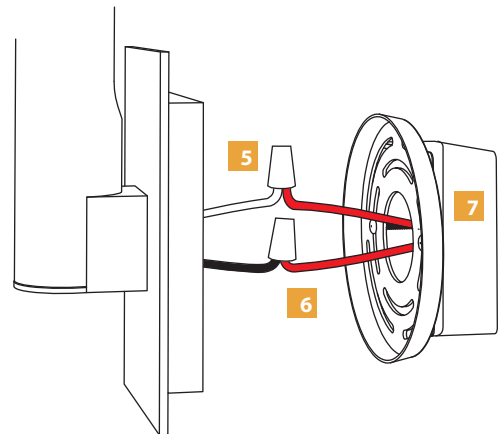


Verify there is no electrical power into the junction box and the panel breaker and switch is powered off.

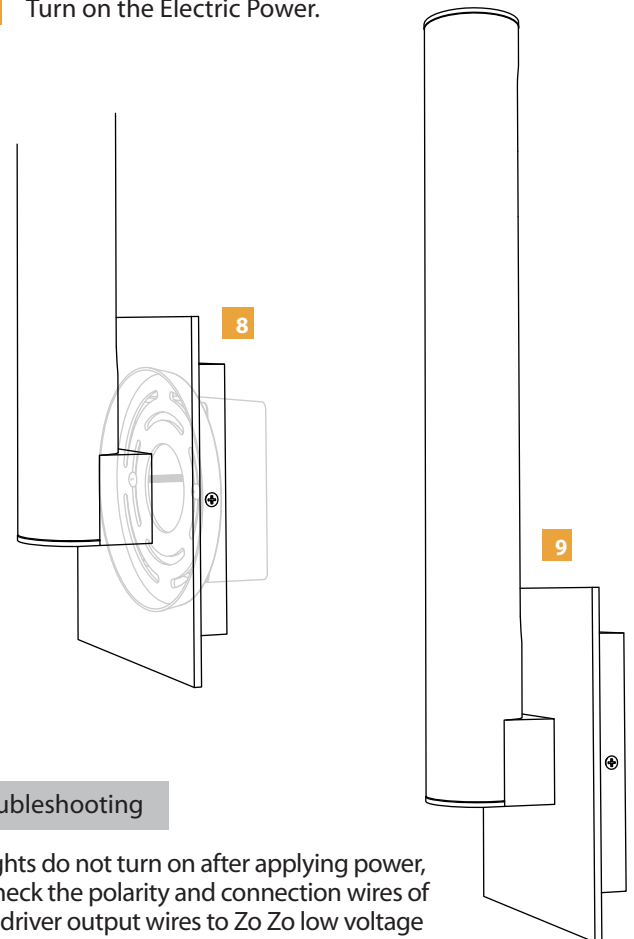
- 2 Wire the black and white wires of the driver to the hot and neutral wires inside the junction box, make sure to also ground the fixture wire.
- 3 Install the round universal crossbar ring onto the junction box with the two #8-32 screws provided.
- 4 Pull the Red wires from the driver through the center hole of cross bar ring.



- 5 Electrically connect the Red driver wire (+) to the (+) wire of Zo Zo fixture.
- 6 Electrically connect the Red driver wire (-) to the (-) wire of Zo Zo fixture.
- 7 Place all wires and wire nut connections inside the electrical box.



- 8 Secure the cross bar and the secure the Zo Zo body canopy to crossbar backplate.
- 9 Turn on the Electric Power.



Troubleshooting

If lights do not turn on after applying power, recheck the polarity and connection wires of the driver output wires to Zo Zo low voltage wires, they could be reversed.