

SAVE THESE INSTRUCTIONS



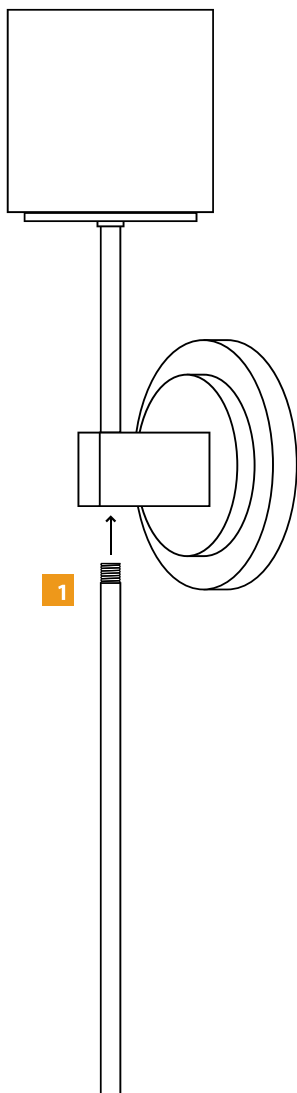
CAUTION: RISK OF FIRE:

Never replace a Xenon (Xelogen) lamp with a regular Halogen lamp. A regular Halogen lamp requires a protective glass shield.

This product is ETL listed and suitable only for indoor dry locations and approved for use at any height above the finished floor.

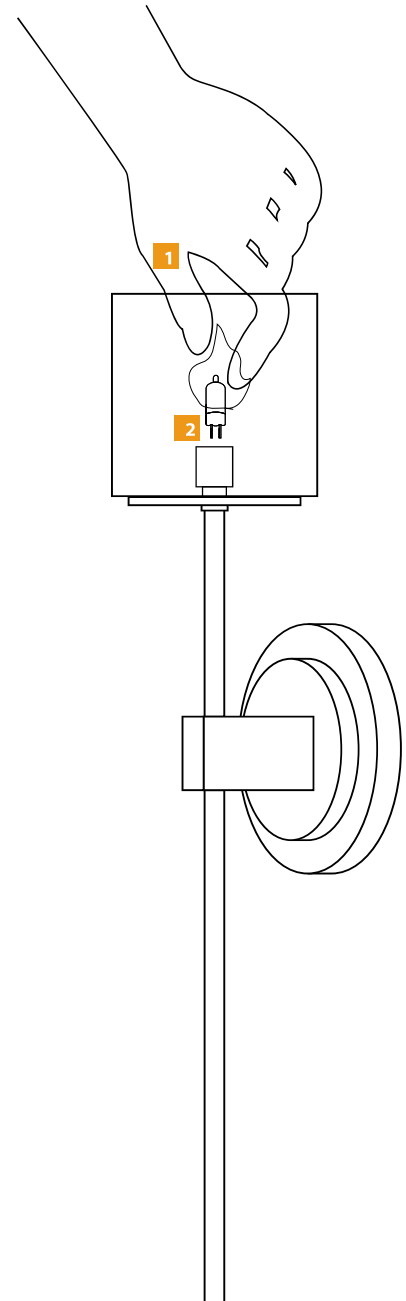
ASSEMBLE ROD TO FIXTURE

- 1 Align the threaded rod into the hole, insert and tighten.



INSTALL THE LAMP

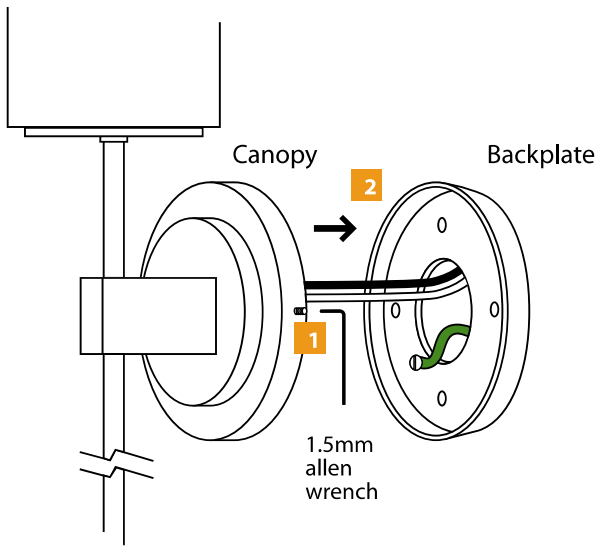
- 1 Use only your fingers and soft cloth to place the lamp.
- 2 Push the lamp pins completely into the socket holes.



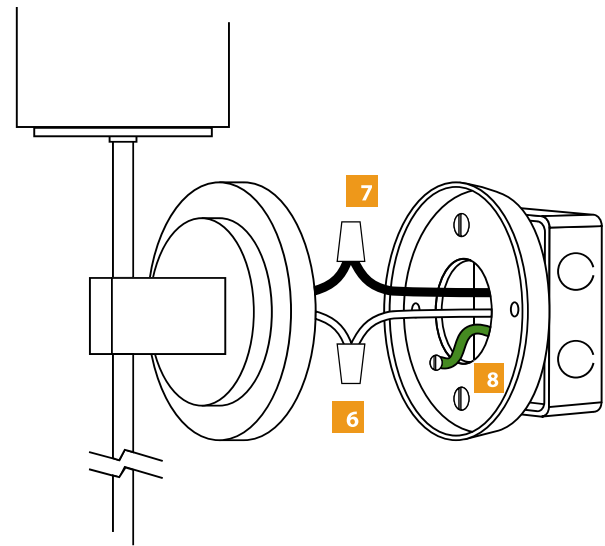
WARNING: RISK OF FIRE

Never replace a Xenon (Xelogen) lamp with a regular Halogen lamp. A regular Halogen lamp requires a protective glass shield.

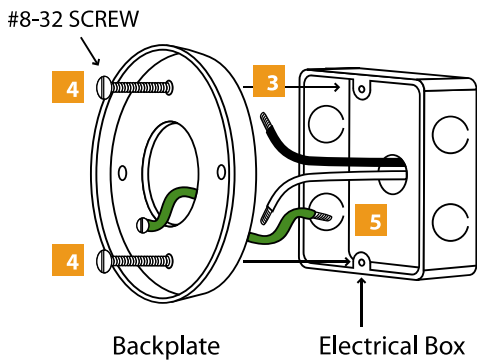
INSTALL FIXTURE



- 1** Loosen (do not remove) the two M3 set screws on side of the canopy with the 1.5mm allen wrench.
- 2** Remove the backplate.

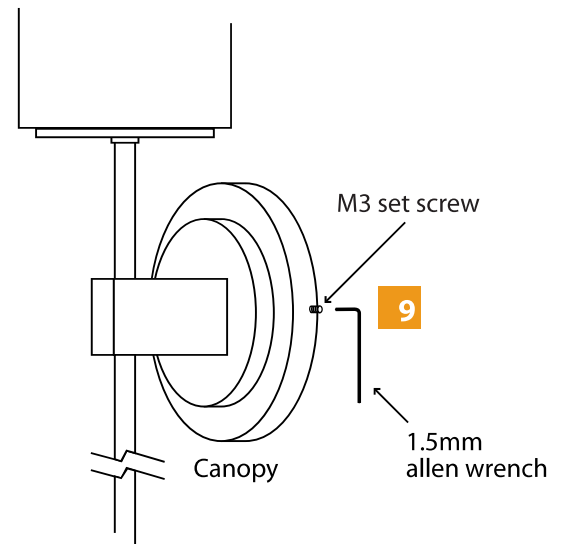


- 6** Connect the white fixture wire to the neutral power line wire with a wire nut.
- 7** Connect the black fixture wire to the hot power line wire with a wire nut.
- 8** Place all wires and wire nut connections inside the electrical box.



- 3** Line up two backplate holes with the electrical box holes.
- 4** Mount the backplate to the electrical box with the two #8-32 screws provided.
- 5** Connect the green wire to a suitable ground in accordance with local electrical codes.

SAVE THESE INSTRUCTIONS



- 9** Place the fixture canopy onto the backplate. Level the fixture vertically and tighten the two M3 set screws with the 1.5mm allen wrench to secure the fixture in place.