



## Gabe Round 12"

Model <b>CL485</b>			
<b>OP</b> opal		<b>LED</b> LED 22W, <b>90 CRI</b> , 1400 Lumens, Dimmable	
Acrylic	Finish	Lamp	CCT
<b>OP</b>	<b>BL</b>	<b>LED</b>	<b>CCT</b>
<b>BL</b> black <b>WH</b> white		<b>CCT</b> Selectable CCT: 2700K, 3000K or 4000K	



## Gabe Round 7"

Model <b>CL482</b>			
<b>OP</b> opal		<b>LED</b> LED 15W, <b>90 CRI</b> , 3000K 850 Lumens, Dimmable	
Acrylic	Finish	Lamp	
<b>OP</b>	<b>WH</b>	<b>LED</b>	
<b>WH</b> white			



## Gabe Round 5"

Model <b>CL480</b>			
<b>OP</b> opal		<b>LED</b> LED 10W, <b>90 CRI</b> , 3000K 550 Lumens, Dimmable	
Acrylic	Finish	Lamp	
<b>OP</b>	<b>WH</b>	<b>LED</b>	
<b>WH</b> white			

### Gabe Series Round

Minimalist edge lit LED ceiling luminaires. Minimal projection and a high quality mini-textured frame. High quality optical diffuser (see specs on next page). The entire series is highlighted by a universal mounting system in which the body mounts to virtually any and all electrical boxes. Once body is mounted the face simply snaps into place. Simple, fast and easy mounting. Impressively bright and fully dimmable design. Suitable for Damp Location.

Dimmable with Triac or ELV dimmer.

120V Standard Voltage. Available in 0-10V dimming and 120-277VAC Input Voltage.

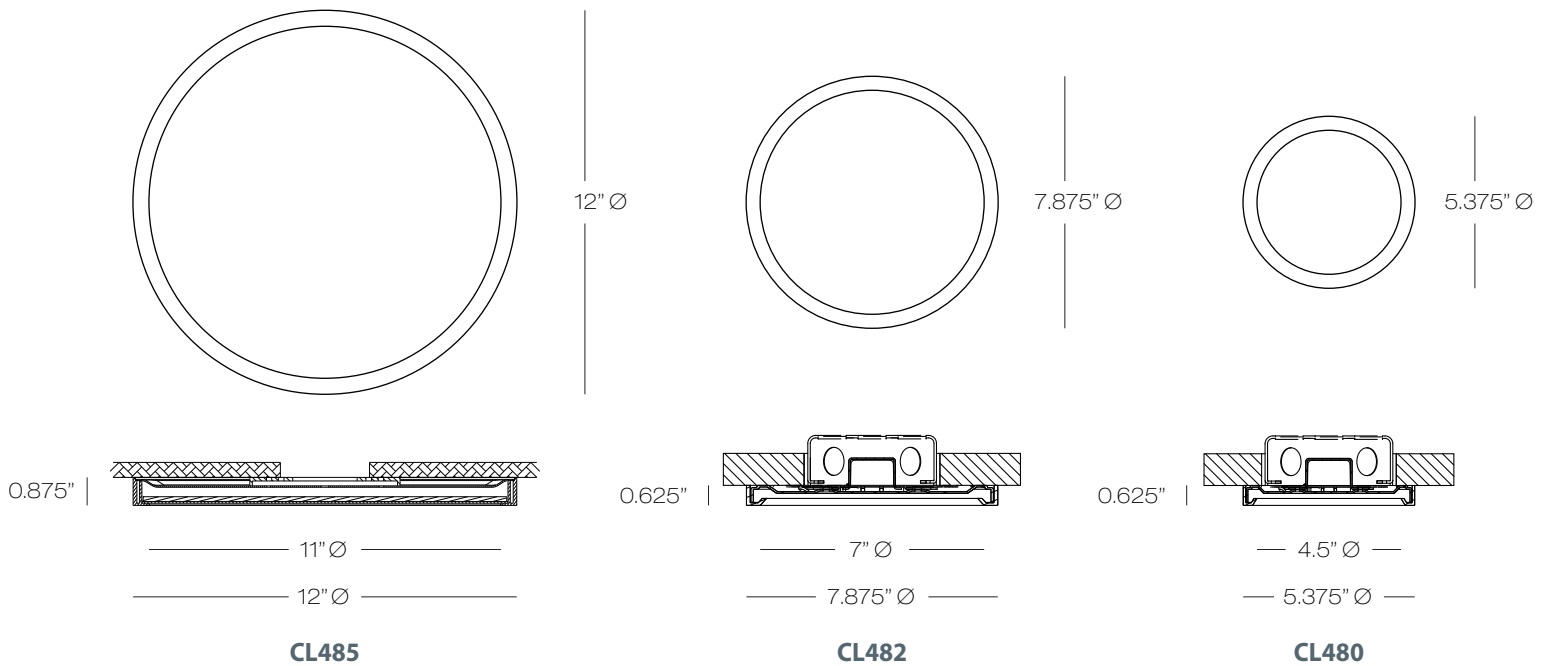


## Features

- Glare controlling lens for comfortable light pattern
- 5/8" thick luminaire for durability
- Thinnest available solution featuring an integral driver
- Utilizes high quality Edge-Lit technology providing even illumination
- 5 years / 50,000 hours LED life
- Wet location listed
- An affordable alternative to Air-Seal IC recessed housings or Fire-Rated Boxes
- Energy Star

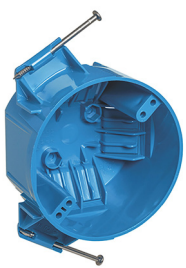
## Electrical

- Input Voltage: 120V
- Input Frequency: 50/60 Hz
- Power Factor: >0.9
- Max. THD: <15%
- Minimum Operating Temperature: -20° C
- Dimmable with Triac or ELV dimmer (10%-100% dimming range)
- Available in 90 CRI, consult customer service
- Powered by an integrated DOB (Driver On Board)
- Photometrics available upon request



## Compatible

Easy to install on standard j-boxes in a snap



3.5" Round (Plastic)



4" Square (Plastic)

Not compatible  
with CL480



4" Square (Metal)

Not compatible  
with CL480



4" Octagonal (Metal)



4" Shallow J-Box

