



# LMPD4 4W MR16 SPECIFICATIONS



## Specifications

LED MR16 Bulb  
**Model Number:** LMPD4  
**Input Power:** 4 Watts  
**Input Line Voltage:** 12VAC/DC  
**Input Line Frequency:** DC to 50 KHz  
**Average Life:** 35,000 hours  
**Maximum Operating Temp:** 40°C  
**Lumens:** 310 Lumens  
**CCT:** 3000K  
**CRI:** 97 CRI  
**Efficacy:** 72 Lm/W  
**Base:** GU 5.3  
**Beam Angle:** 36°, 25°, 15°  
**Color Binning:** 3-Step

Model  
**LMPD4**

SI silver	
Finish	CCT
<b>SI</b>	<b>30K</b>
30K 3000K	

## Dimmer Compatibility

SL Transformer Type	Dimmer Type
PWE60NL	ELV
PWESMT, PWERM	ELV
PWMSMT, PWMRM	MLV

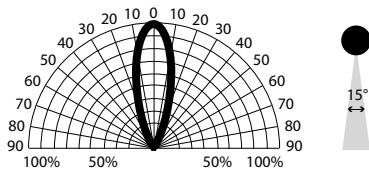
The Stone Lighting MR16 LED lamp installs easily into any 2 pin GU5.3/GX5.3 low voltage socket and is a direct replacement into most MR16 type fixtures which use 12V low voltage halogen lamps.

Utilizing the most advanced and efficient LM80 approved LED chips from Luminus, our MR16 produces a powerful forward beam equivalent to a 35W halogen lamp while it also produces a back light to illuminate decorative glass. The MR16 LED is dimmable and compatible with Stone Lighting NO LOAD electronic and magnetic transformers.

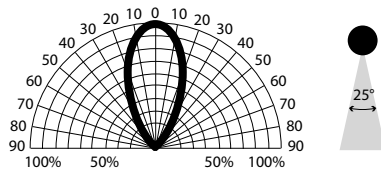
- Consumes 4 Watts.
- Fits in most existing fixtures.
- Comparable to a 35W Halogen MR16
- Direct lamp replacement.  
(Must use Stone Lighting compatible Transformers)
- 35,000 hour average lifespan.
- Backlight
- Contains no mercury or other harmful substances.  
Very environment friendly.
- Use in recessed housings, track lighting, specialty fixtures, etc.
- Meets or exceeds UL Listing requirements.
- No harmful UV or IR - light will not damage art or UV / IR sensitive materials.



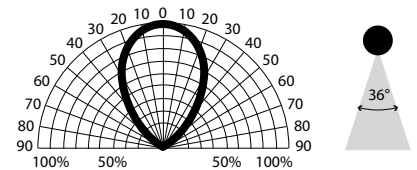
Forward Radiation Angle 15°



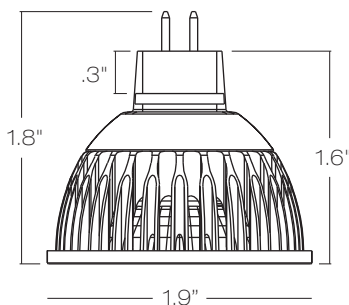
Forward Radiation Angle 25°



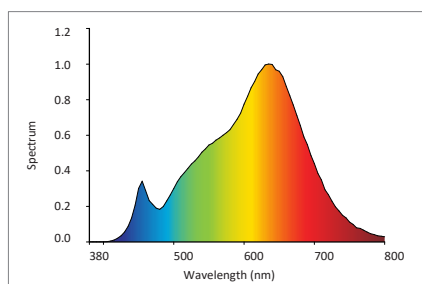
Forward Radiation Angle 36°



## Dimensions



## Spectroradiometric Parameters



## CRI Test Result

