

LMPD8 LED MR16 BULB 12V GU5.3 8W LED Halogen Replacement Bulbs



Specifications

Base: GU5.3 Base
Watts: 8W
Finish: Black, Silver
Voltage: 12V
Lumens: 450, 468 Lumens
CCT: 3000K, Warm Dimming
CRI: High 96.4 CRI and High R9 96
Power Factor: 0.92
Beam Angle: 24°, 36°
Average Rated Life: 30,000 Hours
Warranty: 3 Years
 Title 24 Compliant
 Dimmable

Model
LMP

Lamp	CCT	Beam Angle	Finish	Dimming
D8	3K	24	BL	WD
3K 3000K			BL black SI silver	
D8 LED MR16 Bulb 8W, 468 Lumens, 96.4 CRI, 12V, Dimmable		24 24°		WD Warm Dimming

Model
LMP

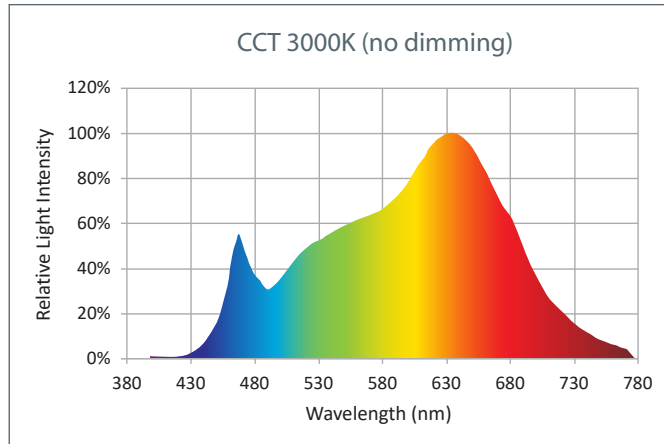
Lamp	CCT	Beam Angle	Finish	Dimming
D8	3K	36	BL	WD
3K 3000K			BL black SI silver	
D8 LED MR16 Bulb 8W, 450 Lumens, 96.4 CRI, 12V, Dimmable		36 36°		WD Warm Dimming

Power	Transformer	Qty - Undimmed	Qty - Dimmed	Maximum Distance*
60W AC	No Load Electronic Transformer, AC	5 pcs	3 pcs	50 ft Maximum Distance
150W AC	No Load Electronic Transformer, AC	13 pcs	9 pcs	50 ft Maximum Distance
300W DC	No Load Electronic Transformer, DC	25 pcs	17 pcs	75 ft Maximum Distance
300W AC	No Load Electronic Transformer, AC	25 pcs	17 pcs	50 ft Maximum Distance

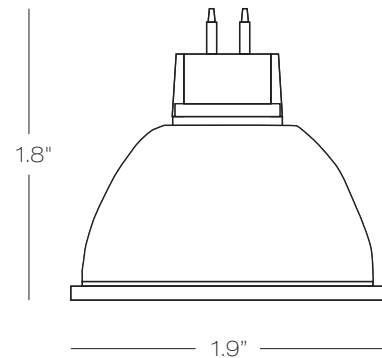
*Maximum distance includes remote wires from transformer to lighting system



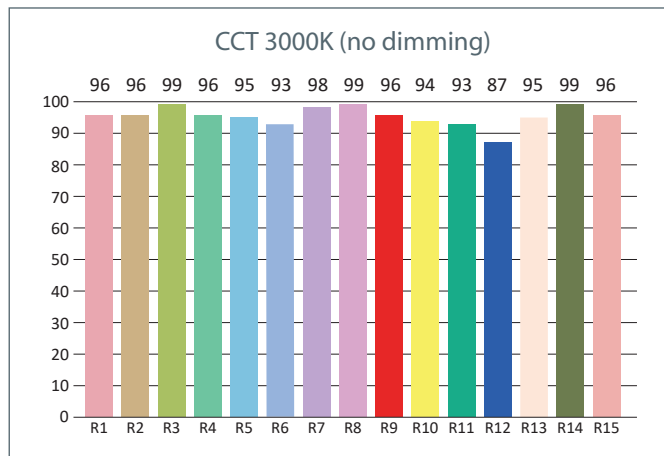
SPECTRORADIOMETRIC PARAMETERS



Dimensions



CRI TEST RESULT



Applications

- Color-critical task lighting
- Residential & hospitality lighting
- Museum and gallery lighting
- Color-critical retail displays (e.g, apparel, groceries, hard goods & toys)
- Track lighting, new & retrofit
- Desk lamps
- Indoor and Outdoor

This innovative new lighting solution combines all the features customers expect from decades of using halogen and incandescent MR16 bulbs, but with the benefits of energy efficiency and operational lifetime only available with LED technology.

Offering outstanding energy efficiency and operational lifetime, these true-color optimized LED bulbs provide all the lighting requirements of halogen bulbs, and can serve as a direct replacement.

