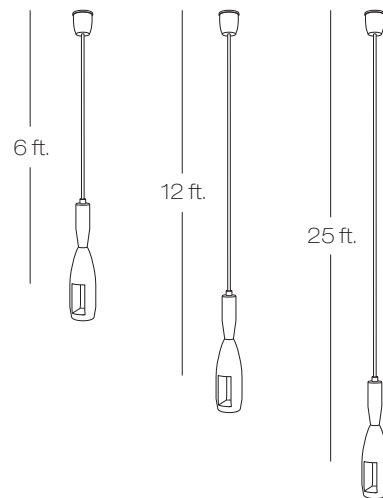


Adjustable Cable Hanger

Griplock allows for easy one touch shortening and lengthening of cable in the field. Complete with drywall anchors. Custom lengths available. (Consult factory)

Model MSCBLADJ	
6 6 ft.	
12 12 ft.	
25 25 ft.	
Length	Finish
12	BL
	BL black
	BZ bronze
	SN satin nickel



Black Monorail Finishes: Monorail is Solid Brass with a Black Plated finish. Hardware, fixtures and transformers are Steel with a Painted Semi-Gloss Black finish.