



T-Connector

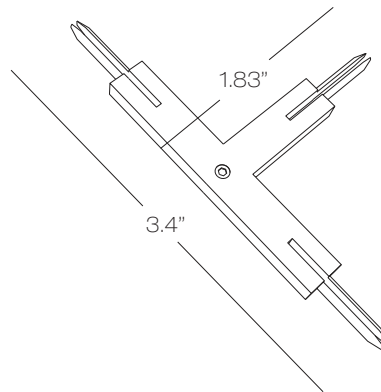
Join three conductive sections of rail.

Model
MSCNT

Finish

BL

BL black
BZ bronze
SN satin nickel



* We recommend a support within 6" of "T".



Black Monorail Finishes: Monorail is Solid Brass with a Black Plated finish.
Hardware, fixtures and transformers are Steel with a Painted Semi-Gloss Black finish.