



X-Connector

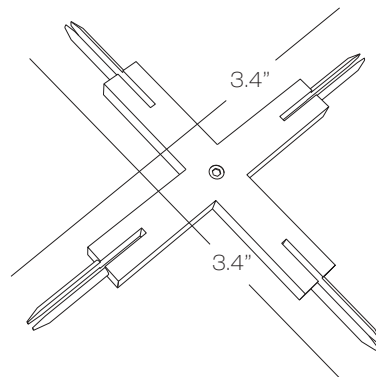
Join four conductive sections of rail to make a 4-way intersection.

Model
MSCNX

Finish

BL

BL black
BZ bronze
SN satin nickel



* We recommend a support within 6" of "X".



Black Monorail Finishes: Monorail is Solid Brass with a Black Plated finish. Hardware, fixtures and transformers are Steel with a Painted Semi-Gloss Black finish.